

SCROLL/BALL Entry Lever

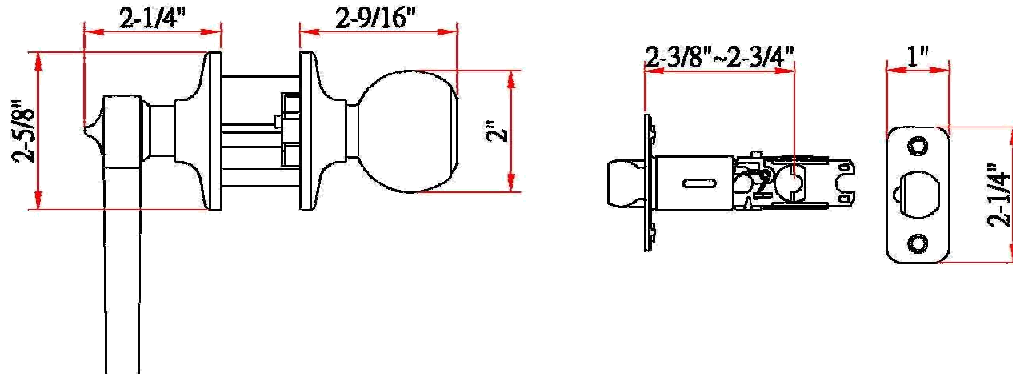


Specifications

Latch Type	2-Way Latch & Universal Latch available
Door Prep	Cross bore 2-1/8" dia (54mm). Edge bore 1" dia (25mm)
Backset	Adjustable to 2-3/8" or 2-3/4"
Door Thickness	1-3/8" - 1-3/4" door standard
Cylinder	5-pin High Security - removable core
Faceplate	1" x 2-1/4" radius corner. (Square and drive-in also available on Universal)
Strike	Standard radius corner . Other options available.
Latch Bolt	Full 1/2" throw. Nickel plated.
Door Handing	Non-handed. Reversible for Left or Right hand doors.
Keyway	KW1
Keyed Alike	KA4 - 4 entries keyed alike



Dimensions



Warranty & Compliances

Warranty	Limited Lifetime Mechanical / 5 year Finish
ANSI/BHMA	Meets ANSI Grade 3 specification
ADA	N/A
UL	N/A



Order Codes

<i>Box Pack</i>	2W	Universal	
Satin Nickel (US15)	781849	741058	
Polished Brass (US3)	783050	741041	
Oil Rubbed Bronze (US10B)	750737	741165	
Antique Brass (US5)	755108	755140	
PVD Brass	518480	741025	
<i>View Pack</i>			
Satin Nickel (US15)	784751		
Polished Brass (US3)	782722		
Oil Rubbed Bronze (US10B)	750729		
Antique Brass (US5)	755058		
PVD Brass	518860		

Type:

Job:

Order Code:

Approvals:

Design House reserves the right to make changes in materials, specifications & models at any time. Design House also reserves the right to discontinue product without notice or obligation.