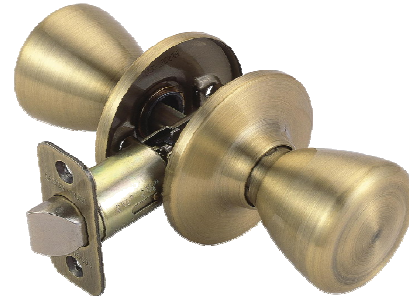


TULIP Passage Knob

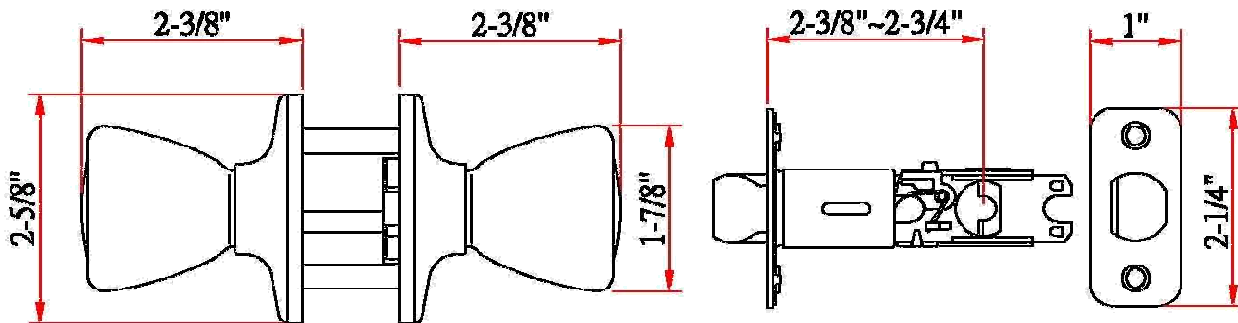


Specifications

Latch Type	2-Way Latch & Universal Latch available
Door Prep	Cross bore 2-1/8" dia (54mm). Edge bore 1" dia (25mm)
Backset	Adjustable to 2-3/8" or 2-3/4"
Door Thickness	1-3/8" - 1-3/4" door standard
Cylinder	—
Faceplate	1" x 2-1/4" radius corner. (Square and drive-in also available on Universal)
Strike	Standard radius corner . Other options available.
Latch Bolt	Full 1/2" throw. Nickel plated.
Door Handing	Non-handed. Reversible for Left or Right hand doors.
Keyway	—
Keyed Alike	—



Dimensions



Warranty & Compliances

Warranty	Limited Lifetime Mechanical / 5 year Finish
ANSI/BHMA	Meets ANSI Grade 3 specification
ADA	N/A
UL	N/A



Order Codes

Box Pack	2W	Universal	
Satin Nickel (US15)	781914	740613	
Polished Brass (US3)	782730	740589	
Antique Brass (US5)		755363	
View Pack			
Satin Nickel (US15)	784793		
Polished Brass (US3)	780957		
Antique Brass (US5)	755272		

Type:

Job:

Order Code:

Approvals:

Design House reserves the right to make changes in materials, specifications & models at any time. Design House also reserves the right to discontinue product without notice or obligation.