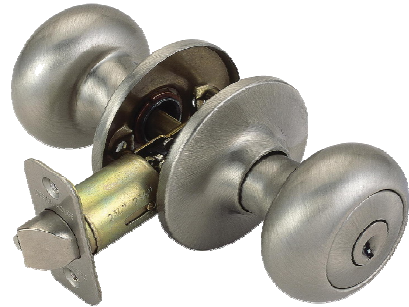


CAMBRIDGE Entry Knob



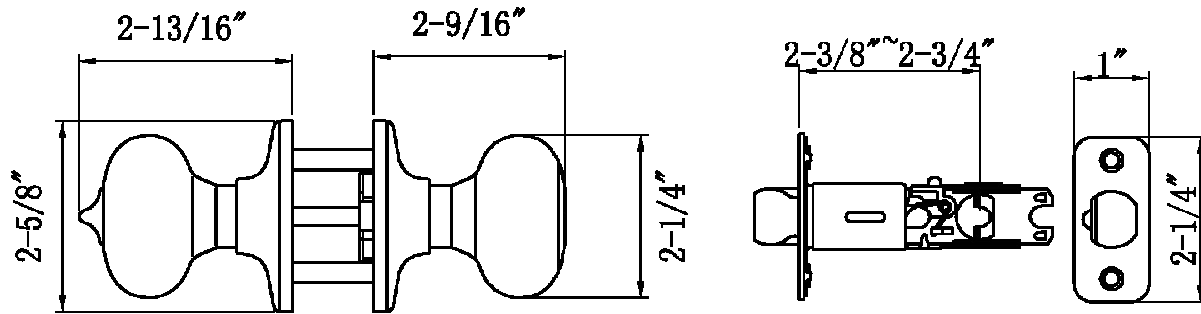
Specifications

Latch Type	2-Way Latch & Universal Latch available
Door Prep	Cross bore 2-1/8" dia (54mm). Edge bore 1" dia (25mm)
Backset	Adjustable to 2-3/8" or 2-3/4"
Door Thickness	1-3/8" - 1-3/4" door standard
Cylinder	5-pin High Security - removable core
Faceplate	1" x 2-1/4" radius corner. (Square and drive-in also available on Universal)
Strike	Standard radius corner . Other options available.
Bolt	Full 1/2" throw. Nickel plated.
Door Handing	Non-handed. Reversible for Left or Right hand doors.



Keyway	KW1
Keyed Alike	KA4 - 4 entries keyed alike

Dimensions



Warranty & Compliances

Warranty	Limited Lifetime Mechanical / 5 year Finish
ANSI/BHMA	Meets ANSI Grade 3 specification
ADA	N/A
UL	N/A



Order Codes

Box Pack	2W	Universal	
Satin Nickel (US15)	753327	741322	TRU MATCH
Polished Brass (US3)	753285	741280	TRU MATCH
Oil Rubbed Bronze (US10B)	753467	753046	TRU MATCH
Antique Brass (US5)	755181	755215	TRU MATCH
Rustic Pewter	700997	701045	TRU MATCH
PVD Brass	753244	742205	
View Pack			
Satin Nickel (US15)	753145	754705	TRU MATCH
Polished Brass (US3)	753111	754671	TRU MATCH
Oil Rubbed Bronze (US10B)	753236		TRU MATCH
Antique Brass (US5)		755223	TRU MATCH
PVD Brass	753061		

Type:

Job:

Order Code:

Approvals:

Design House reserves the right to make changes in materials, specifications & models at any time. Design House also reserves the right to discontinue product without notice or obligation.