

BALL Passage Knob



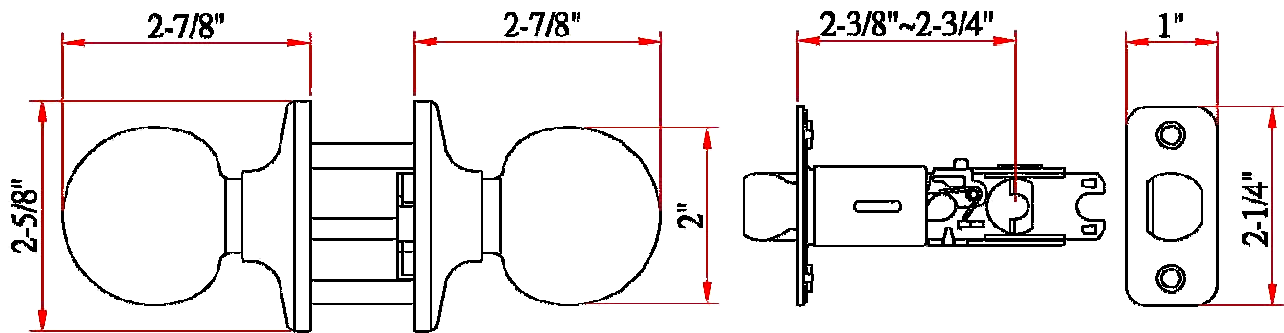
Specifications

Latch Type	2-Way Latch & Universal Latch available
Door Prep	Cross bore 2-1/8" dia (54mm). Edge bore 1" dia (25mm)
Backset	Adjustable to 2-3/8" or 2-3/4"
Door Thickness	1-3/8" - 1-3/4" door standard
Cylinder	—
Faceplate	1" x 2-1/4" radius corner. (Square and drive-in also available on Universal)
Strike	Standard radius corner . Other options available.
Latch Bolt	Full 1/2" throw. Nickel plated.
Door Handing	Non-handed. Reversible for Left or Right hand doors.



Keyway	—
Keyed Alike	—

Dimensions



Warranty & Compliances

Warranty	Limited Lifetime Mechanical / 5 year Finish
ANSI/BHMA	Meets ANSI Grade 3 specification
ADA	N/A
UL	N/A



Order Codes

<i>Box Pack</i>	2W	Universal	
Satin Nickel (US15)	781872	740829	
Polished Brass (US3)	782912	740795	
Oil Rubbed Bronze (US10B)	791582	741330	
Antique Brass (US5)	753970	753905	
<i>View Pack</i>			
Satin Nickel (US15)	784678		
Polished Brass (US3)	782581		
Oil Rubbed Bronze (US10B)	750661		
Antique Brass (US5)	701417		

Type:

Job:

Order Code:

Approvals:

Design House reserves the right to make changes in materials, specifications & models at any time. Design House also reserves the right to discontinue product without notice or obligation.