

# Gateway Single Cylinder Deadbolt

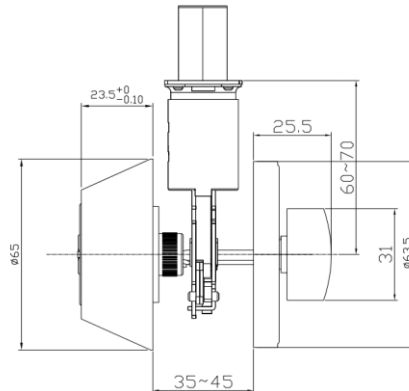


## Specifications

<b>Latch Type</b>	Universal 6-way latch
<b>Door Prep</b>	Cross bore 2-1/8" dia (54mm). Edge bore 1-1/16" dia (27mm)
<b>Backset</b>	Adjustable to 2-3/8" or 2-3/4"
<b>Door Thickness</b>	1-3/8" - 1-3/4" door standard
<b>Cylinder</b>	5-pin with Anti-Bump feature
<b>Faceplate</b>	1" x 2-1/4" radius corner. (Square and drive-in also included)
<b>Strike</b>	Standard radius corner . Other options available.
<b>Bolt</b>	Full 1" throw. Nickel plated.
<b>Door Handing</b>	Non-handed. Reversible for Left or Right hand doors.
<b>Keyway</b>	KW1
<b>Keyed Alike</b>	KA3 - 2 sets of 3 per cut case



## Dimensions



## Warranty & Compliances

<b>Warranty</b>	Limited Lifetime Mechanical / 5 year Finish
<b>ANSI/BHMA</b>	ANSI Grade 3 certified
<b>ADA</b>	N/A
<b>UL</b>	N/A



## Order Codes

### View Pack

<b>Polished Brass</b>	727438
<b>Satin Nickel (US15)</b>	727446
<b>Oil Rubbed Bronze (US10B)</b>	727420

Type:  
Job:  
Order Code:  
Approvals: