

Canton Combo Knob

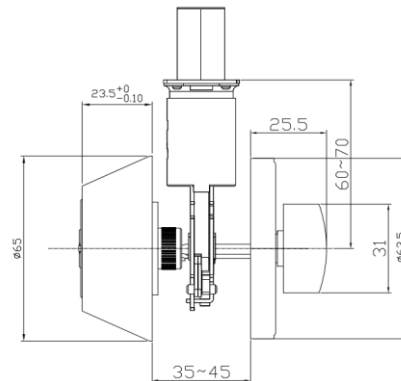
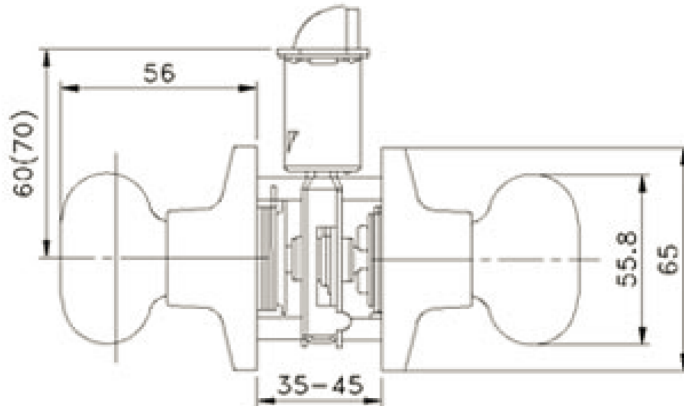


Specifications

Latch Type	Universal 6-way latch
Door Prep	Cross bore 2-1/8" dia (54mm). Edge bore 1-1/16" dia (27mm)
Backset	Adjustable to 2-3/8" or 2-3/4"
Door Thickness	1-3/8" - 1-3/4" door standard
Cylinder	5-pin with Anti-Bump feature
Faceplate	1" x 2-1/4" radius corner. (Square and drive-in also included)
Strike	Standard radius corner . Other options available.
Bolt	Full 1/2" throw/Deadbolt 1" throw. Nickel plated.
Door Handing	Non-handed. Reversible for Left or Right hand doors.
Keyway	KW1
Keyed Alike	KA3 - 2 sets of 3 per cut case



Dimensions



Warranty & Compliances

Warranty	Limited Lifetime Mechanical / 5 year Finish
ANSI/BHMA	ANSI Grade 3 certified
ADA	N/A
UL	N/A



Order Codes

View Pack

Satin Nickel (US15)	727347
Oil Rubbed Bronze (US10B)	727396

Type: Job: Order Code: Approvals:
--

Design House reserves the right to make changes in materials, specifications & models at any time. Design House also reserves the right to discontinue product without notice or obligation.