

Canton Privacy Knob

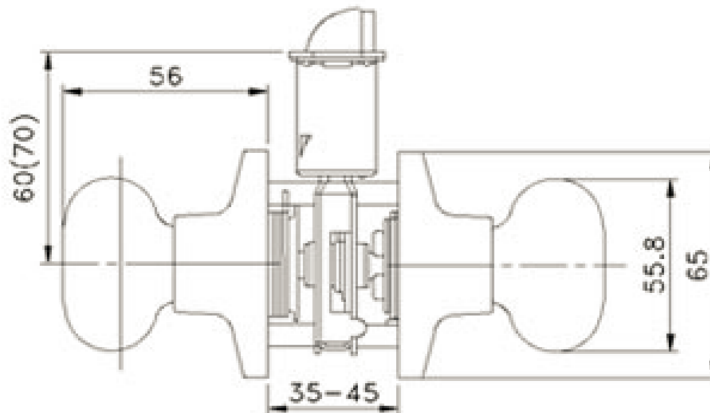


Specifications

Latch Type	Universal 6-way latch
Door Prep	Cross bore 2-1/8" dia (54mm). Edge bore 1-1/16" dia (27mm)
Backset	Adjustable to 2-3/8" or 2-3/4"
Door Thickness	1-3/8" - 1-3/4" door standard
Bolt	Full 1/2" throw. Nickel plated.
Faceplate	1" x 2-1/4" radius corner. (Square and drive-in also included)
Strike	Standard radius corner . Other options available.
Door Handing	Non-handed. Reversible for Left or Right hand doors.



Dimensions



Warranty & Compliances

Warranty	Limited Lifetime Mechanical / 5 year Finish
ANSI/BHMA	ANSI Grade 3 certified
ADA	N/A
UL	N/A



Order Codes

View Pack

Satin Nickel (US15)	727339
Oil Rubbed Bronze (US10B)	727388

Type:
Job:
Order Code:
Approvals: