

Barcelona Privacy Knob 2W

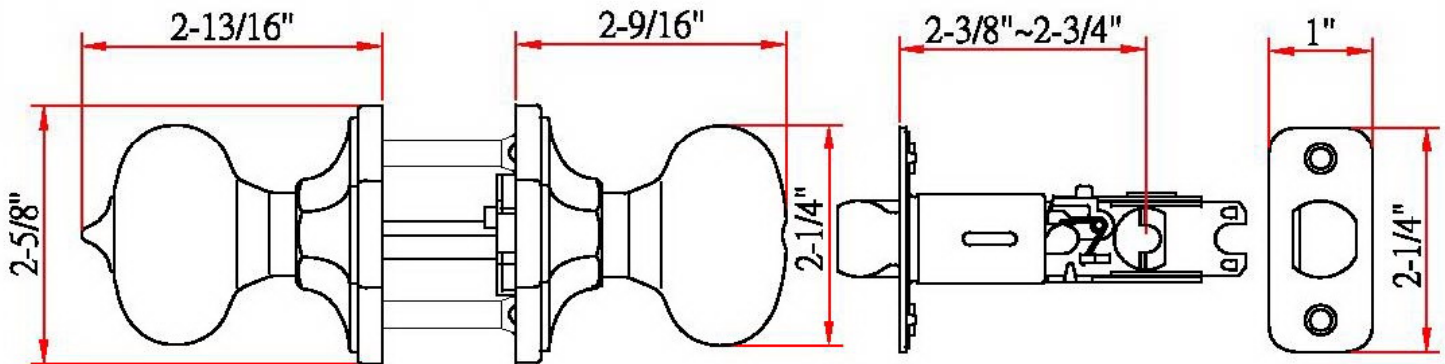


Specifications

Latch Type	2-Way Latch
Door Prep	Cross bore 2-1/8" dia (54mm). Edge bore 1" dia (25mm)
Backset	Adjustable to 2-3/8" or 2-3/4"
Door Thickness	1-3/8" - 1-3/4" door standard
Cylinder	—
Faceplate	1" x 2-1/4" radius corner. (square corner & 6w or drive-in also available)
Strike	Standard radius corner . Other options available.
Bolt	Full 1/2" throw. Nickel plated.
Door Handing	Non-handed. Reversible for Left or Right hand doors.
Keyway	—
Keyed Alike	—



Dimensions



Warranty & Compliances

Warranty	Limited Lifetime Mechanical / 5 year Finish
ANSI/BHMA	ANSI Grade 3 Certified
ADA	N/A
UL	N/A



Order Codes

Satin Nickel (US15)

View Pack
702811



Type:

Job:

Order Code:

Approvals:

Design House reserves the right to make changes in materials, specifications & models at any time. Design House also reserves the right to discontinue product without notice or obligation.