

DEADBOLT Single Side

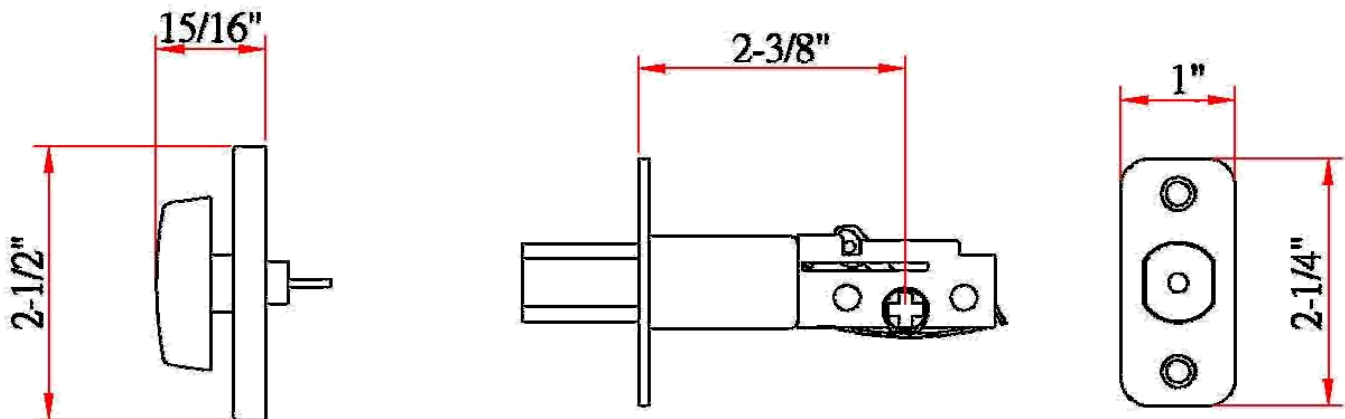


Specifications

Latch Type	2-3/8" Backset
Door Prep	Cross bore 2-1/8" dia (54mm). Edge bore 1" dia (25mm)
Backset	2-3/8"
Door Thickness	1-3/8" - 1-3/4" door standard
Cylinder	—
Faceplate	1" x 2-1/4" radius corner.
Strike	Standard radius corner, other options available.
Bolt	Full 1" throw. Nickel plated.
Door Handing	Non-handed. Reversible for Left or Right hand doors.
Keyway	—
Keyed Alike	—



Dimensions



Warranty & Compliances

Warranty	Limited Lifetime Mechanical / 5 year Finish
ANSI/BHMA	Meets ANSI Grade 3 specification
ADA	N/A
UL	N/A



Order Codes

Brushed Bronze

View Pack
702621



Type:
Job:
Order Code:
Approvals: