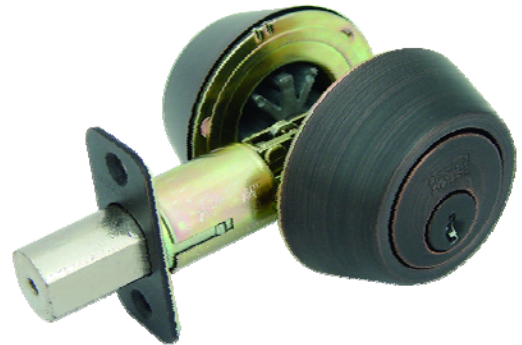


# DEADBOLT Double Cylinder 2W

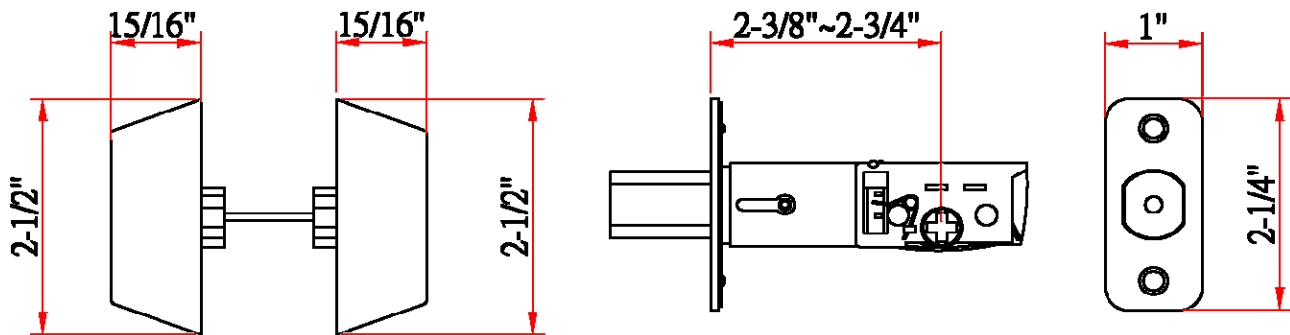


## Specifications

<b>Latch Type</b>	2-Way Latch
<b>Door Prep</b>	Cross bore 2-1/8" dia (54mm). Edge bore 1" dia (25mm)
<b>Backset</b>	Adjustable to 2-3/8" or 2-3/4"
<b>Door Thickness</b>	1-3/8" - 1-3/4" door standard
<b>Cylinder</b>	5-pin High Security - removable core
<b>Faceplate</b>	1" x 2-1/4" radius corner. (square corner & 6w or drive-in also available)
<b>Strike</b>	Standard radius corner deadbolt. Other options
<b>Bolt</b>	Full 1" throw. Nickel plated.
<b>Door Handing</b>	Non-handed. Reversible for Left or Right hand doors.
<b>Keyway</b>	KW1
<b>Keyed Alike</b>	KA4 - 4 entries keyed alike



## Dimensions



## Warranty & Compliances

<b>Warranty</b>	Limited Lifetime Mechanical / 5 year Finish
<b>ANSI/BHMA</b>	Meets ANSI Grade 3 specification
<b>ADA</b>	N/A
<b>UL</b>	N/A



## Order Codes

Brushed Bronze

View Pack  
702613



Type:
Job:
Order Code:
Approvals:

Design House reserves the right to make changes in materials, specifications & models at any time. Design House also reserves the right to discontinue product without notice or obligation.

---