

# Keypad Deadbolt

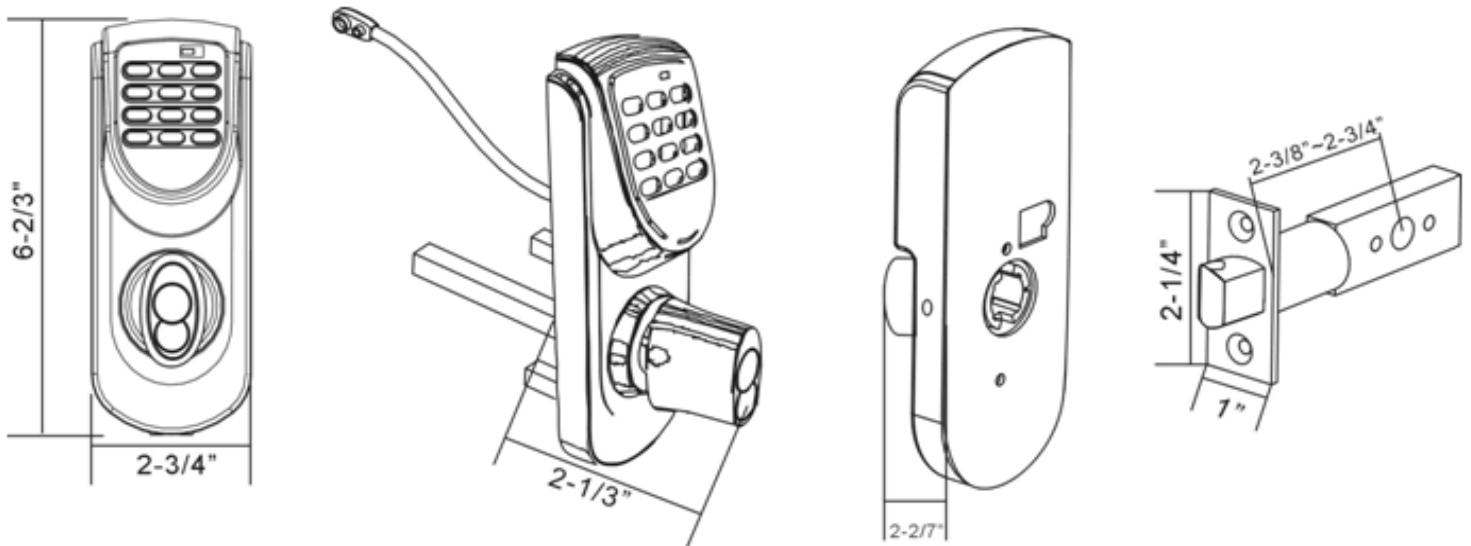


## Specifications

<b>Materials</b>	Rubber gasket, Zinc Alloy housing
<b>Latch Type</b>	2-way
<b>Door Prep</b>	Cross bore 2-1/8" dia (54mm). Edge bore 1" dia. (25mm)
<b>Backset</b>	Fixed latch 2-3/8" or 2-3/4" (both included)
<b>Door Thickness</b>	1-3/8" to 1-3/4" door standard
<b>Cylinder</b>	Mechanical override key (included); KW keyway
<b>Faceplate</b>	1" x 2-1/4" square corner.
<b>Strike</b>	Square corner
<b>Latch Bolt</b>	3/4" throw
<b>Door Handing</b>	Not applicable
<b>Keyway</b>	KW
<b>Passcodes</b>	Up to 300 passcodes
<b>Batteries</b>	Uses 4 x AA batteries (Average 1 year life)
<b>Keypad</b>	Glow in the dark keypad



## Dimensions



## Warranty & Compliances

<b>Warranty</b>	Limited Lifetime Mechanical / 1 year electronics
<b>ANSI/BHMA</b>	Meets ANSI Grade 2 specification
<b>ADA</b>	compliant
<b>UL</b>	N/A



## Order Codes

<b>Satin Nickel (US15)</b>	702530
<b>Oil Rubbed Bronze (US10B)</b>	702548



Type:

Job:

Order Code:

Approvals: