

Keypad Deadbolt

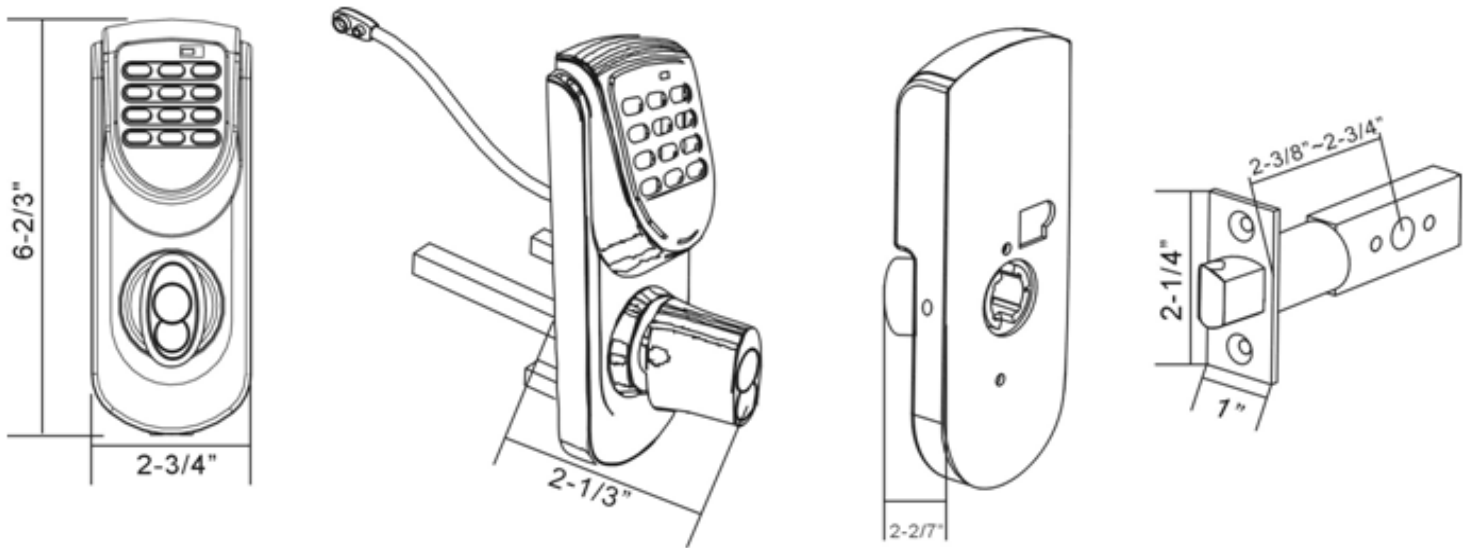


Specifications

Materials	Rubber gasket, Zinc Alloy housing
Latch Type	2-way
Door Prep	Cross bore 2-1/8" dia (54mm). Edge bore 1" dia. (25mm)
Backset	Fixed latch 2-3/8" or 2-3/4" (both included)
Door Thickness	1-3/8" to 1-3/4" door standard
Cylinder	Mechanical override key (included); KW keyway
Faceplate	1" x 2-1/4" square corner.
Strike	Square corner
Latch Bolt	3/4" throw
Door Handing	Not applicable
Keyway	KW
Passcodes	Up to 300 passcodes
Batteries	Uses 4 x AA batteries (Average 1 year life)
Keypad	Glow in the dark keypad



Dimensions



Warranty & Compliances

Warranty	Limited Lifetime Mechanical / 1 year electronics
ANSI/BHMA	Meets ANSI Grade 2 specification
ADA	compliant
UL	N/A



Order Codes

Satin Nickel (US15)	702530
Oil Rubbed Bronze (US10B)	702548



Type:

Job:

Order Code:

Approvals: