

SPRINGDALE Entry Lever

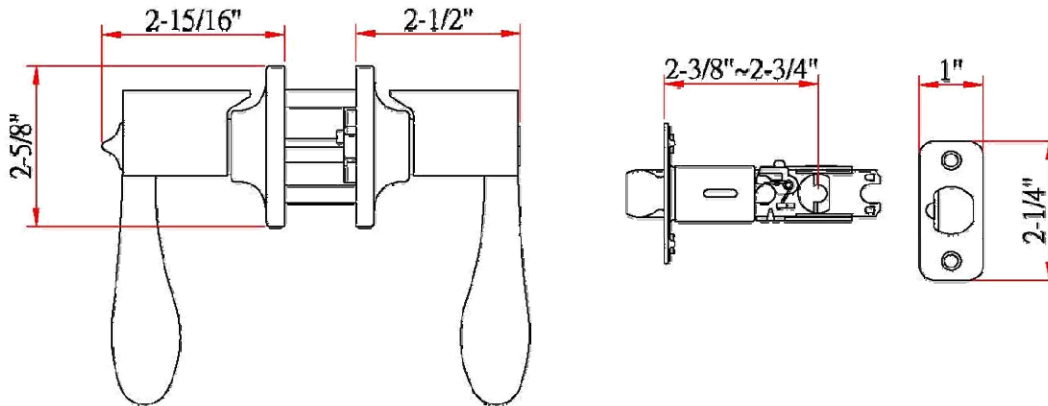


Specifications

Latch Type	2-Way Latch & Universal Latch available
Door Prep	Cross bore 2-1/8" dia (54mm). Edge bore 1" dia (25mm)
Backset	Adjustable to 2-3/8" or 2-3/4"
Door Thickness	1-3/8" - 1-3/4" door standard
Cylinder	5-pin High Security - removable core
Faceplate	1" x 2-1/4" radius corner. (Square and drive-in also available on Universal)
Strike	Standard radius corner . Other options available.
Latch Bolt	Full 1/2" throw. Nickel plated.
Door Handing	Non-handed. Reversible for Left or Right hand doors.
Keyway	KW1
Keyed Alike	KA4 - 4 entries keyed alike



Dimensions



Warranty & Compliances

Warranty	Limited Lifetime Mechanical / 5 year Finish
ANSI/BHMA	Meets ANSI Grade 3 specification
ADA	
UL	N/A



Order Codes

Box Pack	2W	Universal	
Brushed Bronze	702480		
Satin Nickel (US15)	700500	742866	TRU MATCH
Polished Brass (US3)	700468	742833	TRU MATCH
Oil Rubbed Bronze (US10B)	700542	742957	TRU MATCH
Rustic Pewter	701367		TRU MATCH
View Pack			
Satin Nickel (US15)	742494		TRU MATCH
Polished Brass (US3)	742460		TRU MATCH
Oil Rubbed Bronze (US10B)	742585	754820	TRU MATCH
Rustic Pewter	701326		TRU MATCH

Type:

Job:

Order Code:

Approvals:

Design House reserves the right to make changes in materials, specifications & models at any time. Design House also reserves the right to discontinue product without notice or obligation.