

C-Series Dummy Curved

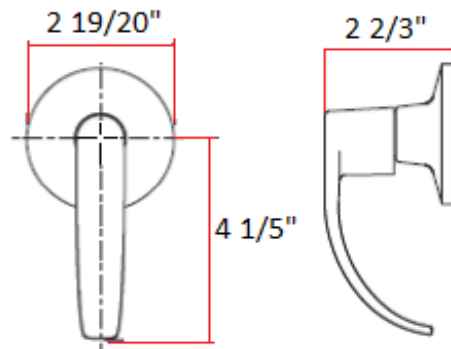


Specifications

Latch Type	
Door Prep	
Backset	
Door Thickness	1-3/8" - 1-3/4" door standard
Cylinder	
Faceplate	
Strike	
Bolt	
Door Handing	Non-handed. Reversible for Left or Right hand doors.
Keyway	
Keyed Alike	



Dimensions



Warranty & Compliances

Warranty	Limited Lifetime Mechanical / 5 year Finish
ANSI/BHMA	ANSI Grade 2 Certified
ADA	ADA Compliant (4.13.9)
UL	UL Listed for use on fire doors (up to 3 hours)



Order Codes

	Box Pack
Brushed Bronze	702266
Satin Chrome	702027



Type:
Job:
Order Code:
Approvals: