

# DELAVAN Passage 2W

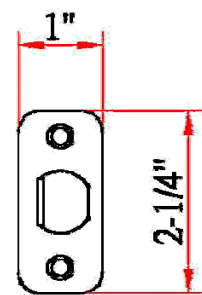
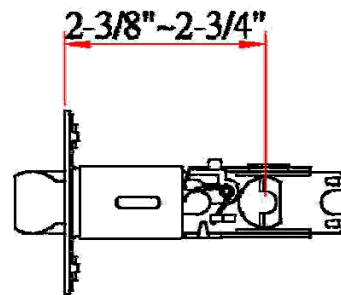
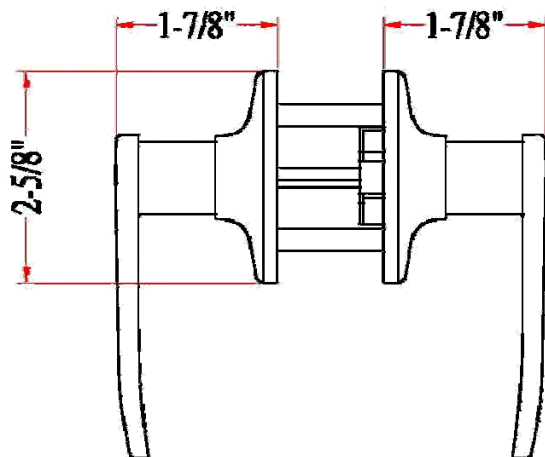


## Specifications

<b>Latch Type</b>	2-Way Latch
<b>Door Prep</b>	Cross bore 2-1/8" dia (54mm). Edge bore 1" dia (25mm)
<b>Backset</b>	Adjustable to 2-3/8" or 2-3/4"
<b>Door Thickness</b>	1-3/8" - 1-3/4" door standard
<b>Cylinder</b>	—
<b>Faceplate</b>	1" x 2-1/4" radius corner. (square corner & 6W or drive-in also available)
<b>Strike</b>	Standard radius corner. Other options available.
<b>Bolt</b>	Full 1/2" throw. Nickel plated.
<b>Door Handing</b>	Non-handed. Reversible for Left or Right hand doors.
<b>Keyway</b>	—
<b>Keyed Alike</b>	—



## Dimensions



## Warranty & Compliances

<b>Warranty</b>	Limited Lifetime Mechanical / 5 year Finish
<b>ANSI/BHMA</b>	Meets ANSI Grade 3 specification
<b>ADA</b>	Compliant
<b>UL</b>	UL Listed for use on fire doors (up to 3 hours)



## Order Codes

<b>Satin Nickel (US15)</b>	<b>Box Pack</b> 702092	
<b>Oil Rubbed Bronze (US10B)</b>	702357	

Type:

Job:

Order Code:

Approvals: