

C-Series Entry Curved 2W

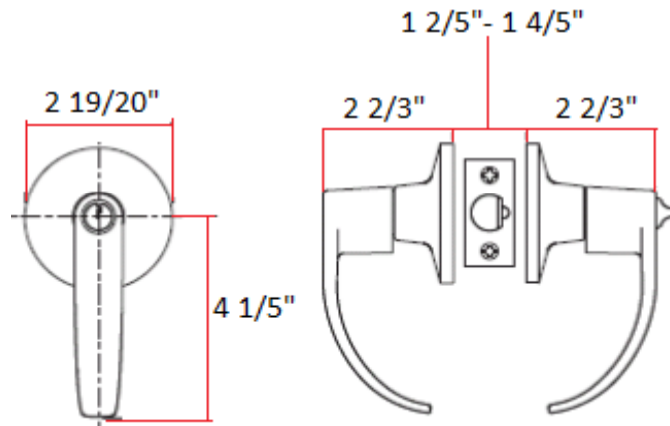


Specifications

| | |
|------------------------|---|
| Latch Type | 2-Way Latch |
| Door Prep | Cross bore 2-1/8" dia (54mm). Edge bore 1" dia (25mm) |
| Backset | Adjustable to 2-3/8" or 2-3/4" |
| Door Thickness | 1-3/8" - 1-3/4" door standard |
| Cylinder | 5-pin High Security |
| Faceplate | 1" x 2-1/4" Square Corner |
| Strike | T-Strike |
| Bolt | Full 1/2" throw Stainless Steel |
| Door Handing | Non-handed. Reversible for Left or Right hand doors. |
| Keyway | KW1 |
| Keyed Alike | |
| Interior Button | Push Button |



Dimensions



Warranty & Compliances

| | |
|------------------|---|
| Warranty | Limited Lifetime Mechanical / 5 year Finish |
| ANSI/BHMA | ANSI Grade 2 Certified |
| ADA | ADA Compliant (4.13.9) |
| UL | UL Listed for use on fire doors (up to 3 hours) |



Order Codes

| | | |
|-----------------------|-----------------|--|
| | Box Pack | |
| Satin Chrome | 701979 | |
| Brushed Bronze | 702217 | |

Type:

Job:

Order Code:

Approvals:

Design House reserves the right to make changes in materials, specifications & models at any time. Design House also reserves the right to discontinue product without notice or obligation.