

# Commercial Ball Knobs 2-3/8" Latch (Storeroom)

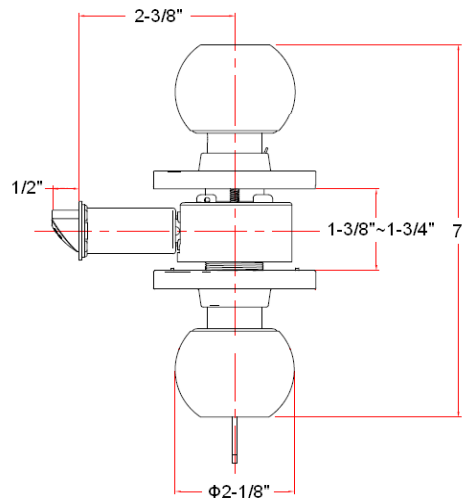


## Specifications

<b>Latch Type</b>	2-3/8"
<b>Door Prep</b>	Cross bore 2-1/8" dia (54mm). Edge bore 9/10" dia (23.8mm)
<b>Backset</b>	2-3/8"
<b>Door Thickness</b>	1-3/8" - 1-3/4" door standard
<b>Cylinder</b>	Rekeyable 6 pins tumbler
<b>Faceplate</b>	Square corner steel faceplate, stainless steel
<b>Strike</b>	Square corner strike, stainless steel
<b>Latch Bolt</b>	Satin stainless steel latch bolt
<b>Door Handing</b>	Reversible for Left or Right hand doors.
<b>Keyway</b>	KW1
<b>Keyed Alike</b>	N/A



## Dimensions



## Warranty & Compliances

<b>Warranty</b>	Limited Lifetime Mechanical / 5 year Finish
<b>ANSI/BHMA</b>	Meets ANSI Grade 2 specification
<b>ADA</b>	N/A
<b>UL</b>	Meets UL Fire specification (3 hours)



## Order Codes

### Box Pack

Satin Nickel (US15) 701672



Type:

Job:

Order Code:

Approvals:

Design House reserves the right to make changes in materials, specifications & models at any time. Design House also reserves the right to discontinue product without notice or obligation.