

# Commercial Ball Knobs 2-3/8" Latch (Privacy)

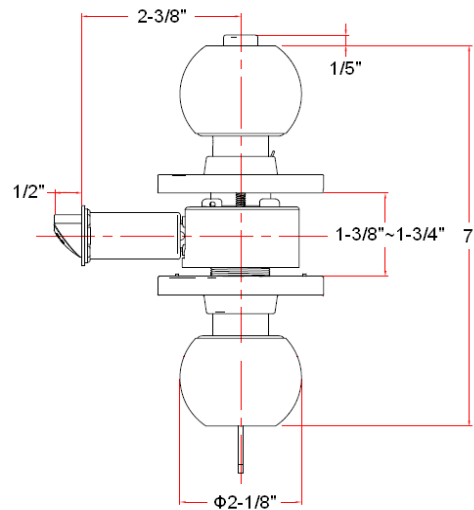


## Specifications

|                       |  |
|-----------------------|--|
| <b>Latch Type</b>     | 2-3/8"   |
| <b>Door Prep</b>      | Cross bore 2-1/8" dia (54mm). Edge bore 9/10" dia (23.8mm) |
| <b>Backset</b>        | 2-3/8"   |
| <b>Door Thickness</b> | 1-3/8" - 1-3/4" door standard                              |
| <b>Cylinder</b>       | Rekeyable 6 pins tumbler                                   |
| <b>Faceplate</b>      | Square corner steel faceplate, stainless steel             |
| <b>Strike</b>         | Square corner strike, stainless steel                      |
| <b>Latch Bolt</b>     | Satin stainless steel latch bolt                           |
| <b>Door Handing</b>   | Reversible for Left or Right hand doors.                   |
| <b>Keyway</b>         | N/A  |
| <b>Keyed Alike</b>    | N/A  |



## Dimensions



## Warranty & Compliances

|                  |   |
|------------------|---|
| <b>Warranty</b>  | Limited Lifetime Mechanical / 5 year Finish |
| <b>ANSI/BHMA</b> | Meets ANSI Grade 2 specification            |
| <b>ADA</b>       | N/A   |
| <b>UL</b>        | Meets UL Fire specification (3 hours)       |



## Order Codes

### Box Pack

Satin Nickel (US15) 701656



Type:

Job:

Order Code:

Approvals:

Design House reserves the right to make changes in materials, specifications & models at any time. Design House also reserves the right to discontinue product without notice or obligation.