

Commercial Lever 2-3/8" Latch (Classroom)

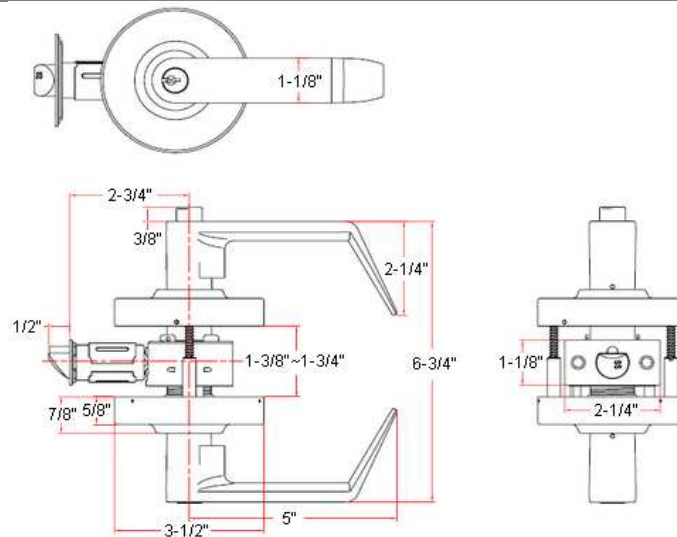


Specifications

Latch Type	2-3/8"
Door Prep	Cross bore 2-1/8" dia (54mm). Edge bore 1-7/64" dia (28mm), 2 small holes of 5/16" dia (8mm) for thru-bolt.
Backset	2-3/8"
Door Thickness	1-3/8" - 1-3/4" door standard
Cylinder	Rekeyable 6 pins tumbler
Faceplate	Square corner steel faceplate, stainless steel
Strike	Normal T strike, stainless steel
Latch Bolt	Satin stainless steel latch bolt
Door Handing	Reversible for Left or Right hand doors.
Keyway	KW1
Keyed Alike	N/A



Dimensions



Warranty & Compliances

Warranty	Limited Lifetime Mechanical / 5 year Finish
ANSI/BHMA	Meets ANSI Grade 2 specification
ADA	N/A
UL	Meets UL Fire specification (3 hours)



Order Codes

Box Pack

Satin Nickel (US15) 701631



Type:

Job:

Order Code:

Approvals:

Design House reserves the right to make changes in materials, specifications & models at any time. Design House also reserves the right to discontinue product without notice or obligation.