

# Concord One Door Surface Mount Medicine Cabinet

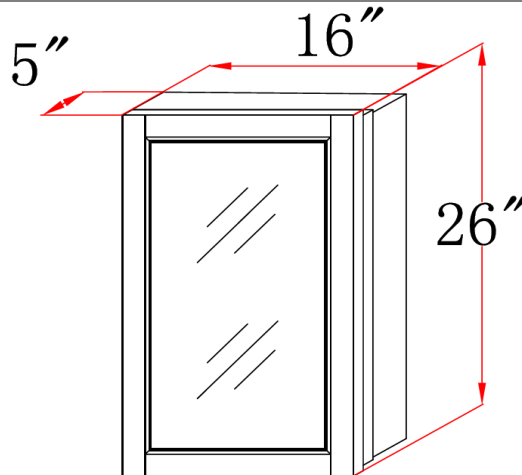


## Specifications

- Durable gloss white finish
- Plywood side panels
- Concealed hinges
- Pre-assembled design
- 1 door
- 2 shelves



## Dimensions



## Warranty & Compliances

**Warranty** Limited 1 year warranty  
**California 93120** Compliant



## Order Codes & Finishes/Colors

16" w x 5" d x 26" h

590505

Type:
Job:
Order Code:
Approvals:

Design House reserves the right to make changes in materials, specifications & models at any time. Design House also reserves the right to discontinue product without notice or obligation.