

TRAVIS 2PK 13" LED Ceiling Mount WH

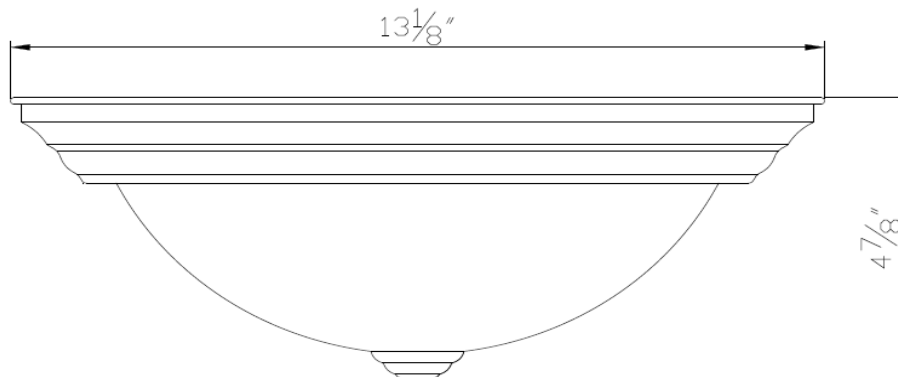


Specifications

Material Construction:	Formed Steel
Lens:	Frosted glass
Lamp Type & Wattage:	Integrated 20W LED light
Lumens:	1,800 lumens at source; 1,134 lumens thru the lens
CCT:	3150K
Rated Life;	50,000 hours
Mounting:	Ceiling mounted
Finish:	Oil Rubbed Bronze
Voltage:	120V
Weight:	4.6 lbs



Dimensions



Warranty & Compliances

Warranty	10 Year Limited Warranty
ETL Listed	ETL Listed for use in Damp Locations
ADA	N/A
EnergyStar	N/A



Product Codes

<i>Description</i>	<i>Product Code</i>
TRAVIS 2PK 13" LED Ceiling Mount WHT	579201

Type:
Job:
Order Code:
Approvals:

Design House reserves the right to make changes in materials, specifications & models at any time. Design House also reserves the right to discontinue product without notice or obligation.