

HAYS 2PK 11" LED Ceiling Mount WH

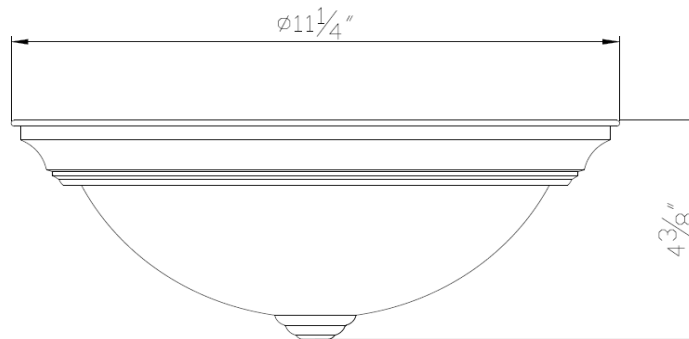


Specifications

Material Construction:	Formed Steel
Lens:	Frosted glass
Lamp Type & Wattage:	Integrated 17W LED light
Lumens:	1,500 lumens at source; 1,120 lumens thru the lens
CCT:	3150K
CRI:	>80
Rated Life;	50,000 hours
Mounting:	Ceiling mounted
Finish:	White
Voltage:	120V
Weight:	4 lbs



Dimensions



Warranty & Compliances

Warranty	10 Year Limited Warranty
ETL Listed	ETL Listed for use in Damp Locations
ADA	N/A
EnergyStar	N/A



Product Code

Description	Product Code
HAYS 2PK 11" LED Ceiling Mount WHT	579177

Type:
Job:
Order Code:
Approvals:

Design House reserves the right to make changes in materials, specifications & models at any time. Design House also reserves the right to discontinue product without notice or obligation.