

# HAYS 2PK 11" LED Ceiling Mount SN

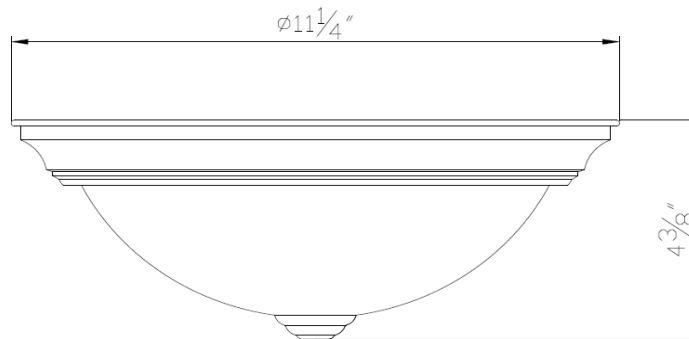


## Specifications

<b>Material Construction:</b>	Formed Steel
<b>Lens:</b>	Frosted glass
<b>Lamp Type &amp; Wattage:</b>	Integrated 17W LED light
<b>Lumens:</b>	1,500 lumens at source; 1,065 lumens thru the lens
<b>CCT:</b>	3150K
<b>CRI:</b>	>80
<b>Rated Life;</b>	50,000 hours
<b>Mounting:</b>	Ceiling mounted
<b>Finish:</b>	Satin Nickel
<b>Voltage:</b>	120V
<b>Weight:</b>	4 lbs



## Dimensions



## Warranty & Compliances

<b>Warranty</b>	10 Year Limited Warranty
<b>ETL Listed</b>	ETL Listed for use in Damp Locations
<b>ADA</b>	N/A
<b>EnergyStar</b>	N/A



## Product Code

Description	Product Code
HAYS 2PK 11" LED Ceiling Mount SN	579169

Type:  
Job:  
Order Code:  
Approvals:

Design House reserves the right to make changes in materials, specifications & models at any time. Design House also reserves the right to discontinue product without notice or obligation.