

# CANTERBURY II LED OUTDOOR WALL LIGHT

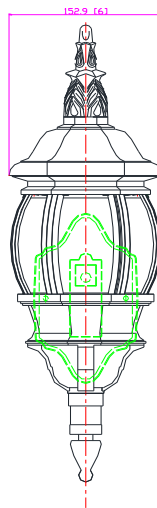
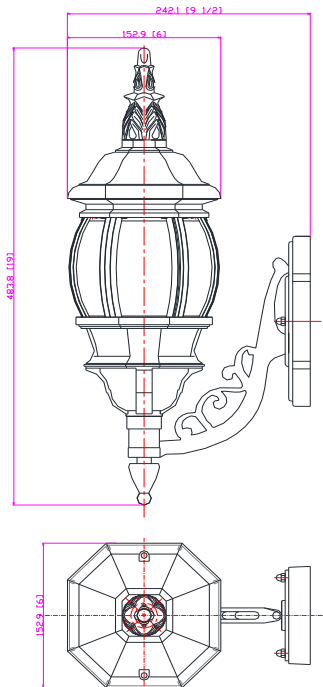


## Specifications

<b>Material Construction:</b>	Steel Housing
<b>Lens Material:</b>	clear Glass
<b>wall sconce Dimensions:</b>	19" High x 6" Wide x 9.5" Deep
<b>Lamp Type &amp; Wattage:</b>	Integrated 13.2W LED
<b>Lumens</b>	528 Thru the lens
<b>Color Temperature</b>	3000K
<b>Rated Life</b>	50,000 hours
<b>Color Rendering Index [CRI]:</b>	82 CRI
<b>Dimmable:</b>	No
<b>Mounting:</b>	Wall Mount
<b>Finish:</b>	Textured Black
<b>Voltage:</b>	120V
<b>Fixture Weight:</b>	3.28 lbs



## Dimensions



Design House

**LED lighting facts**  
A Program of the U.S. DOE

<b>Light Output (Lumens)</b>	<b>528</b>
<b>Watts</b>	<b>13.2</b>
<b>Lumens per Watt (Efficacy)</b>	<b>40</b>
<b>Color Accuracy</b>	
<small>Color Rendering Index (CRI)</small>	<b>82</b>
<b>Light Color</b>	
<small>Correlated Color Temperature (CCT)</small>	<b>3000 (Bright White)</b>
<small>Warm White</small>	<small>Bright White</small>
<small>2700K</small>	<small>3000K</small>
<small>4500K</small>	<small>6500K</small>

All results are according to IESNA LM-79-2008: *Approved Method for the Electrical and Photometric Testing of Solid-State Lighting*. The U.S. Department of Energy (DOE) verifies product test data and results.

Visit [www.lightingfacts.com](http://www.lightingfacts.com) for the *Label Reference Guide*.

Registration Number: 184Q-66UEMQ (9/30/2016)  
 Model Number: 578666  
 Type: Luminaire - Area/Roadway

## Warranty & Compliances

<b>Warranty</b>	10 Year Limited Warranty
<b>ETL</b>	ETL Listed for use in wet locations
<b>ADA</b>	N/A
<b>EnergyStar</b>	N/A



## Order Code

<i>Description</i>	<i>Design House Code</i>
CANTERBURY II LED OUTDOOR WALL LIGHT	578666