

PERTH 3LT ROUND SEMI FLUSH SN

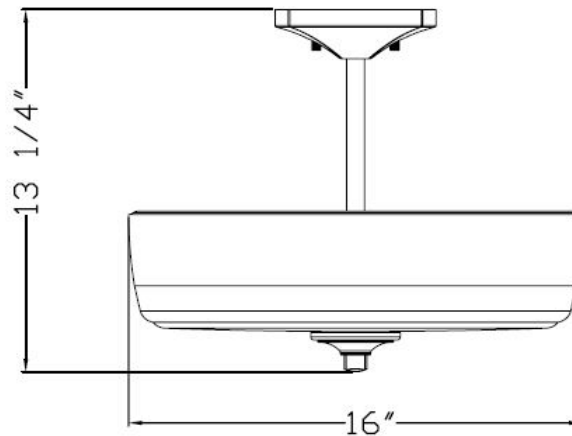


Specifications

Material Construction:	Formed steel
Lens:	Frosted Glass
Lamp Type & Wattage:	3 x 60 Watt, E26 Medium base incandescent lamps or energy efficient equivalents
Mounting:	Ceiling Mounted
Finish:	Satin nickel
Voltage:	120V
Weight:	6.82lbs



Dimensions



Warranty & Compliances

Warranty	10 Year Limited Warranty
UL	UL Listed; Suitable for dry locations
ADA	
EnergyStar	



Order Codes

1LT WALL MOUNT	578328
3LT VANITY LIGHT	578336
4LT PENDANT	578344
3LT SEMI FLUSH MOUNT	578351
3LT CEILING MOUNT	578377
MINI PENDANT	578310



Type:

Job:

Order Code:

Approvals:

Design House reserves the right to make changes in materials, specifications & models at any time. Design House also reserves the right to discontinue product without notice or obligation.