

Eastport 2LT Wall Mount

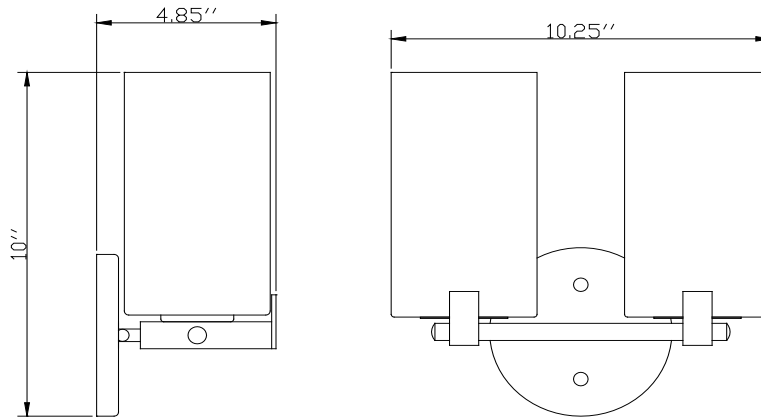


Specifications

| | |
|---------------------------------|---|
| Material Construction: | Formed Steel |
| Lens: | Frosted white glass |
| Lens Dimensions: | 7" H X 4" Dia (each) |
| Lamp Type & Wattage: | Two 60W, medium base incandescent lamps (or equivalent) |
| Mounting: | Wall mounted |
| Finish: | Satin Nickel (US15) |
| Voltage: | 120V |
| Weight: | 2.73 LBS |
| Companion Fixtures: | Wall mounts, vanity lights, pendants, ceiling mounts |



Dimensions



Warranty & Compliances

| | |
|-------------------|-------------------------------------|
| Warranty | 10 Year Limited Warranty |
| UL | UL/cUL; Suitable for damp locations |
| ADA | N/A |
| EnergyStar | N/A |



Companion Fixtures

| | | |
|-------------------------------------|--------|--|
| Eastport 2LT Wall Mount SN | 577528 | |
| Eastport 3LT Foyer Pendant SN | 500983 | |
| Eastport 1LT Mini Pendant SN | 577510 | |
| Eastport 4LT Vanity Light SN | 577536 | |
| Eastport 3LT Vanity Light SN | 573147 | |
| Eastport 4LT Large Ceiling Mount SN | 577544 | |
| Eastport 1LT Wall Mount SN | 573154 | |
| Eastport 2LT 13" Ceiling Mount SN | 570937 | |
| Eastport 2LT Bath Bar Light SN | 570929 | |
| Eastport 3LT dining Pendant SN | 573139 | |
| Eastport 3LT Pendant Stem SN | 570911 | |

| |
|--|
| Type: Job: Order Code: Approvals: |
|--|

Design House reserves the right to make changes in materials, specifications & models at any time. Design House also reserves the right to discontinue product without notice or obligation.