

TORINO 3LT Vanity Light

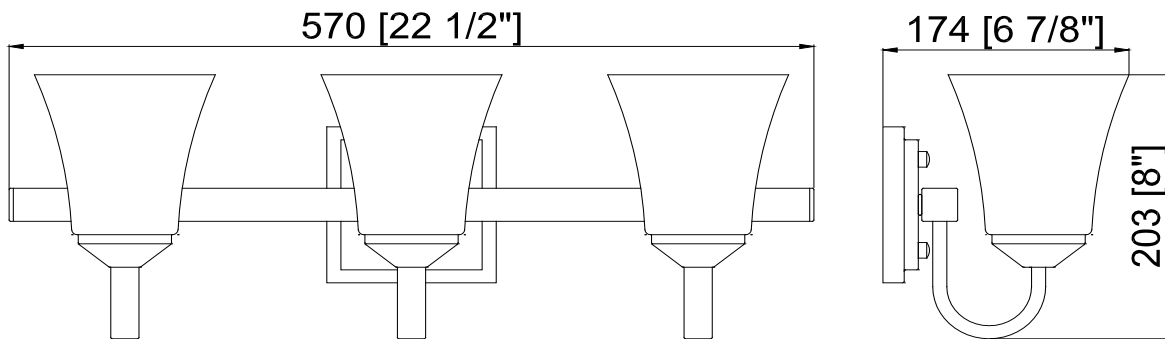


Specifications

| | |
|---------------------------------|---|
| Material Construction: | Formed Steel |
| Lens: | Snow glass |
| Lens Dimensions: | 5" H x 5" W x 5" L (each) |
| Lamp Type & Wattage: | Three 60W, medium base incandescent lamps (or equivalent) |
| Mounting: | Wall mounted |
| Finish: | Brushed Bronze |
| Voltage: | 120V |
| Weight: | 5.07 LBS |
| Companion Fixtures: | Wall mounts, vanity lights, pendants, ceiling mounts |



Dimensions



Warranty & Compliances

| | |
|-------------------|-------------------------------------|
| Warranty | 10 Year Limited Warranty |
| UL | UL/cUL; Suitable for damp locations |
| ADA | N/A |
| EnergyStar | N/A |



Companion Fixtures

| | | |
|--|--------|--|
| TORINO 3LT Wall Mount BB | 577445 | |
| TORINO 5LT CHANDELIER BB | 577353 | |
| TORINO 3LT CHANDELIER BB | 577361 | |
| TORINO 2LT PENDANT BB | 577379 | |
| TORINO 1LT Mini PENDANT BB | 577387 | |
| TORINO 2LT Semi Flush Mount BB | 577395 | |
| TORINO 1LT Wall Extended Mount BB | 577411 | |
| TORINO 2LT Ceiling Mount BB | 577403 | |
| TORINO 1LT Wall Mount BB | 577429 | |
| TORINO 2LT Wall Mount BB | 577437 | |
| TORINO 4LT Vanity Light BB | 577452 | |

| |
|--------------------|
| Type: |
| Job: |
| Order Code: |
| Approvals: |

Design House reserves the right to make changes in materials, specifications & models at any time. Design House also reserves the right to discontinue product without notice or obligation.