

# TORINO 2LT Wall Mount

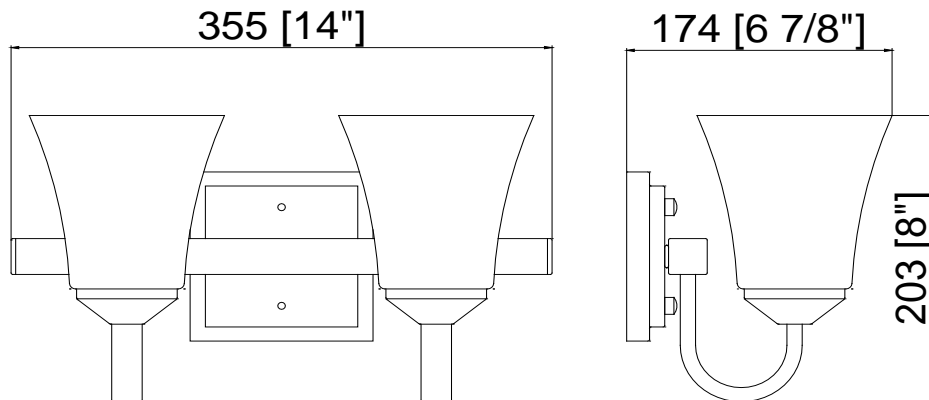


## Specifications

<b>Material Construction:</b>	Formed Steel
<b>Lens:</b>	Snow glass
<b>Lens Dimensions:</b>	5" H x 5" W x 5" L (each)
<b>Lamp Type &amp; Wattage:</b>	Two 60W, medium base incandescent lamps (or equivalent)
<b>Mounting:</b>	Wall mounted
<b>Finish:</b>	Brushed Bronze
<b>Voltage:</b>	120V
<b>Weight:</b>	2.1 LBS
<b>Companion Fixtures:</b>	Wall mounts, vanity lights, pendants, ceiling mounts



## Dimensions



## Warranty & Compliances

<b>Warranty</b>	10 Year Limited Warranty
<b>UL</b>	UL/cUL; Suitable for damp locations
<b>ADA</b>	N/A
<b>EnergyStar</b>	N/A



## Companion Fixtures

<b>TORINO 2LT Wall Mount BB</b>	577437	
<b>TORINO 5LT CHANDELIER BB</b>	577353	
<b>TORINO 3LT CHANDELIER BB</b>	577361	
<b>TORINO 2LT PENDANT BB</b>	577379	
<b>TORINO 1LT Mini PENDANT BB</b>	577387	
<b>TORINO 2LT Semi Flush Mount BB</b>	577395	
<b>TORINO 1LT Wall Extended Mount BB</b>	577411	
<b>TORINO 2LT Ceiling Mount BB</b>	577403	
<b>TORINO 1LT Wall Mount BB</b>	577429	
<b>TORINO 3LT Vanity Light BB</b>	577445	
<b>TORINO 4LT Vanity Light BB</b>	577452	

<b>Type:</b> <b>Job:</b> <b>Order Code:</b> <b>Approvals:</b>
--

Design House reserves the right to make changes in materials, specifications & models at any time. Design House also reserves the right to discontinue product without notice or obligation.