

TORINO 1LT Wall Mount

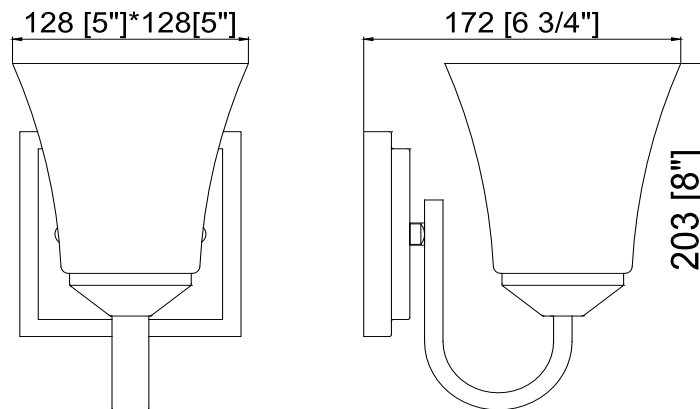


Specifications

| | |
|---------------------------------|--|
| Material Construction: | Formed Steel |
| Lens: | Snow glass |
| Lens Dimensions: | 5" H x 5" W x 5" L |
| Lamp Type & Wattage: | One 60W, medium base incandescent lamp (or equivalent) |
| Mounting: | Wall mounted |
| Finish: | Brushed Bronze |
| Voltage: | 120V |
| Weight: | 2.1 LBS |
| Companion Fixtures: | Wall mounts, vanity lights, pendants, ceiling mounts |



Dimensions



Warranty & Compliances

| | |
|-------------------|-------------------------------------|
| Warranty | 10 Year Limited Warranty |
| UL | UL/cUL; Suitable for damp locations |
| ADA | N/A |
| EnergyStar | N/A |



Companion Fixtures

| | |
|--|--------|
| TORINO 1LT Wall Mount BB | 577429 |
| TORINO 5LT CHANDELIER BB | 577353 |
| TORINO 3LT CHANDELIER BB | 577361 |
| TORINO 2LT PENDANT BB | 577379 |
| TORINO 1LT Mini PENDANT BB | 577387 |
| TORINO 2LT Semi Flush Mount BB | 577395 |
| TORINO 1LT Wall Extended Mount BB | 577411 |
| TORINO 2LT Ceiling Mount BB | 577403 |
| TORINO 2LT Wall Mount BB | 577437 |
| TORINO 3LT Vanity Light BB | 577445 |
| TORINO 4LT Vanity Light BB | 577452 |



| |
|--|
| Type: Job: Order Code: Approvals: |
|--|

Design House reserves the right to make changes in materials, specifications & models at any time. Design House also reserves the right to discontinue product without notice or obligation.