

# Eastport 2LT 13" Ceiling Mount

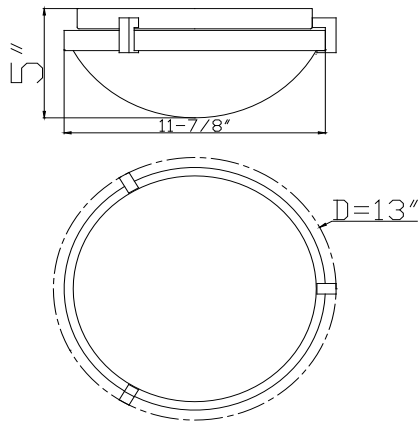


## Specifications

<b>Material Construction:</b>	Formed Steel
<b>Lens:</b>	Frosted white glass
<b>Lens Dimensions:</b>	3.75" H x 11.5" Dia
<b>Lamp Type &amp; Wattage:</b>	2 x 60W, medium base incandescent lamps
<b>Mounting:</b>	Ceiling mounted
<b>Finish:</b>	Satin Nickel (US15)
<b>Voltage:</b>	120V
<b>Weight:</b>	3.08 LBS
<b>Companion Fixtures:</b>	Wall mounts, vanity lights, pendants, ceiling mounts



## Dimensions



## Warranty & Compliances

<b>Warranty</b>	10 Year Limited Warranty
<b>UL</b>	UL/cUL; Suitable for dry locations
<b>ADA</b>	N/A
<b>EnergyStar</b>	N/A



## Companion Fixtures

<b>Eastport 2LT 13" Ceiling Mount SN</b>	570937	
<b>Eastport 3LT Foyer Pendant SN</b>	500983	
<b>Eastport 1LT Mini Pendant SN</b>	577510	
<b>Eastport 2LT Wall Mount SN</b>	577528	
<b>Eastport 4LT Vanity Light SN</b>	577536	
<b>Eastport 3LT Vanity Light SN</b>	573147	
<b>Eastport 4LT Large Ceiling Mount SN</b>	577544	
<b>Eastport 1LT Wall Mount SN</b>	573154	
<b>Eastport 2LT Bath Bar Light SN</b>	570929	
<b>Eastport 3LT dining Pendant SN</b>	573139	
<b>Eastport 3LT Pendant Stem SN</b>	570911	

Type:

Job:

Order Code:

Approvals:

Design House reserves the right to make changes in materials, specifications & models at any time. Design House also reserves the right to discontinue product without notice or obligation.