

OSLO 3LT CHANDELIER BN

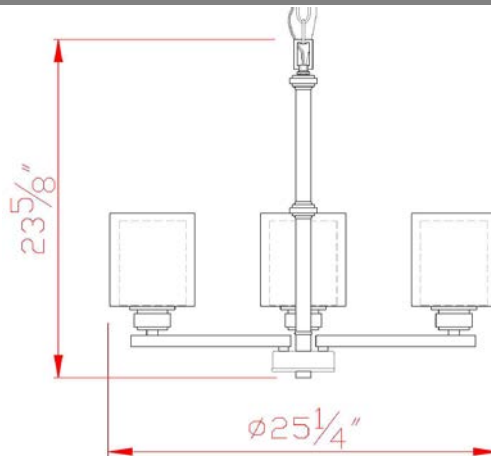


Specifications

Material Construction:	Formed Steel
Lens:	Clear outer glass and white inner glass
Lens Dimensions:	Clear outer glass: 6.5" H x 5.5" Dia; white inner glass: 6" H x 4" Dia (each)
Lamp Type & Wattage:	Three 60W, medium base incandescent lamps
Mounting:	Ceiling mounted
Finish:	Satin Nickel (US15)
Voltage:	120V
Weight:	10.4 lbs
Companion Fixtures:	wall/vanity lights, Mini Pendant, Chandelier



Dimensions



Warranty & Compliances

Warranty	10 Year Limited Warranty
UL	UL/cUL; Dry locations only
ADA	N/A
EnergyStar	N/A



Companion Fixtures

3 Lt Chandelier	567206	
1 Lt Wall Mount	556134	
2 Lt Wall Mount	556142	
3 Lt Wall Mount	556159	
4 Lt Wall Mount	556167	
1 Lt Mini Pendant	567214	
5 Lt Chandelier	567198	
5 Lt Wall Mount	556175	

Type:

Job:

Order Code:

Approvals:

Design House reserves the right to make changes in materials, specifications & models at any time. Design House also reserves the right to discontinue product without notice or obligation.