

# OSLO 3 LT WALL MOUNT

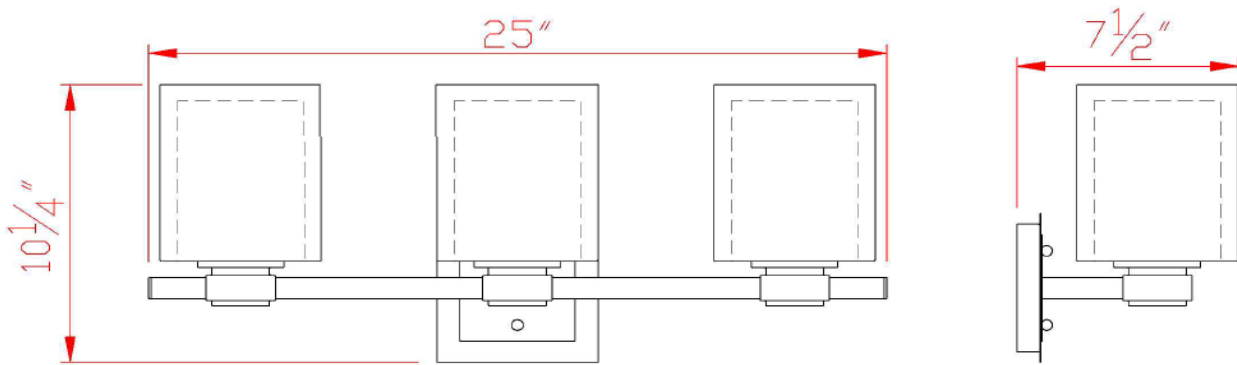


## Specifications

<b>Material Construction:</b>	Formed Steel
<b>Lens:</b>	Clear outer glass and white inner glass
<b>Lens Dimensions:</b>	Clear outer glass: 6.5" H x 5.5" Dia; white inner glass: 6" H x 4" Dia (each)
<b>Lamp Type &amp; Wattage:</b>	Three 60W, medium base incandescent lamps
<b>Mounting:</b>	Wall mounted
<b>Finish:</b>	Satin Nickel (US15)
<b>Voltage:</b>	120V
<b>Weight:</b>	8.4 lbs
<b>Companion Fixtures:</b>	wall/vanity lights, Mini Pendant, Chandelier



## Dimensions



## Warranty & Compliances

<b>Warranty</b>	10 Year Limited Warranty
<b>UL</b>	UL/cUL; Suitable for damp locations
<b>ADA</b>	N/A
<b>EnergyStar</b>	N/A



## Companion Fixtures

<b>3 Lt Wall Mount</b>	556159	
<b>1 Lt Wall Mount</b>	556134	
<b>2 Lt Wall Mount</b>	556142	
<b>4 Lt Wall Mount</b>	556167	
<b>5 Lt Wall Mount</b>	556175	
<b>1 Lt Mini Pendant</b>	567214	
<b>3 Lt Chandelier</b>	567206	
<b>5 Lt Chandelier</b>	567198	

**Type:**

**Job:**

**Order Code:**

**Approvals:**

Design House reserves the right to make changes in materials, specifications & models at any time. Design House also reserves the right to discontinue product without notice or obligation.