

31" x 19" Oval Vanity Top

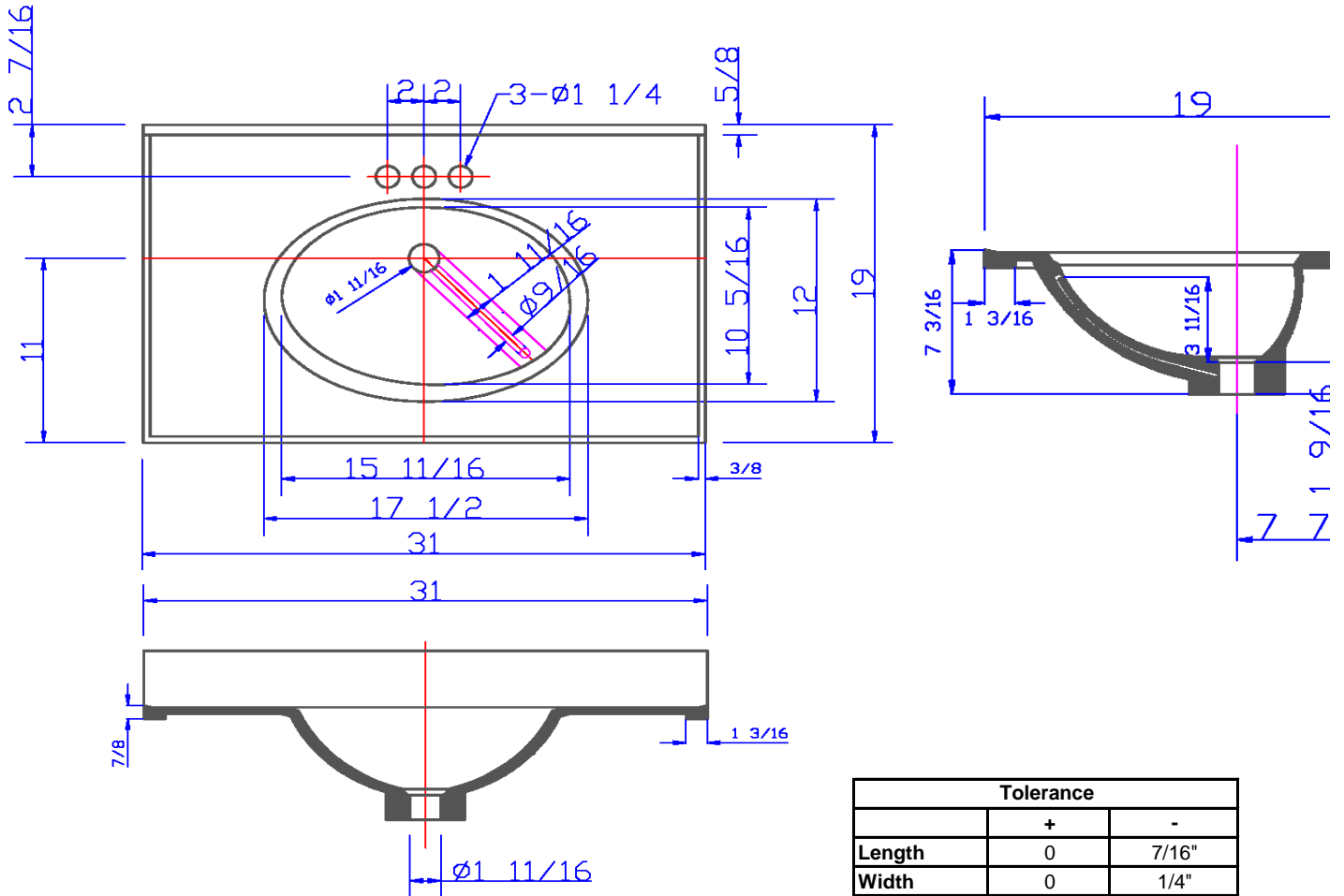


Specifications

Material Content:	Cultured Marble (Stone filler, Resin and Gel coat)
Back splash:	Integrated, 3-1/2" high, 5/8" thick
Faucet Holes:	3x D1-1/4" holes, 4" center mount
Overflow Hole	with, D 9/16"
Drain Hole	with, D 1 -11/16"
Water Depth	3- 11/16"
Bowl	15- 11/16" width, 10-5/16" depth
Color:	Solid White / White on White / White on Bone



Dimensions



Tolerance		
	+	-
Length	0	7/16"
Width	0	1/4"
Thickness	1/16"	1/16"

Warranty & Compliances

Warranty	5 Year Limited Warranty
IAPMO/ UPC	Complaint
CSAB45	Complaint
ANSI	ANSI Z124.3 complaint



Order Codes & Finishes/Colors

View Box Sleeve Pack

Solid White	551333	552018
White on white	551069	552802
White on Bone	551119	552323

Type:
Job:
Order Code:
Approvals:

Design House reserves the right to make changes in materials, specifications & models at any time. Design House also reserves the right to discontinue product without notice or obligation.

