

37" x 22" Oval Vanity Top

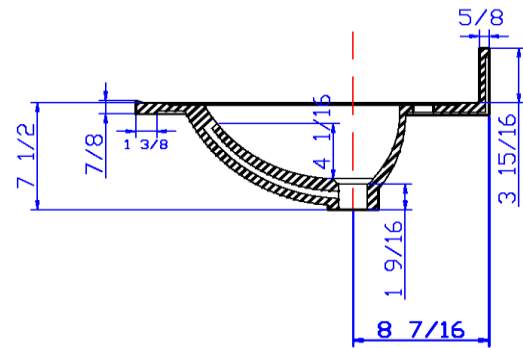
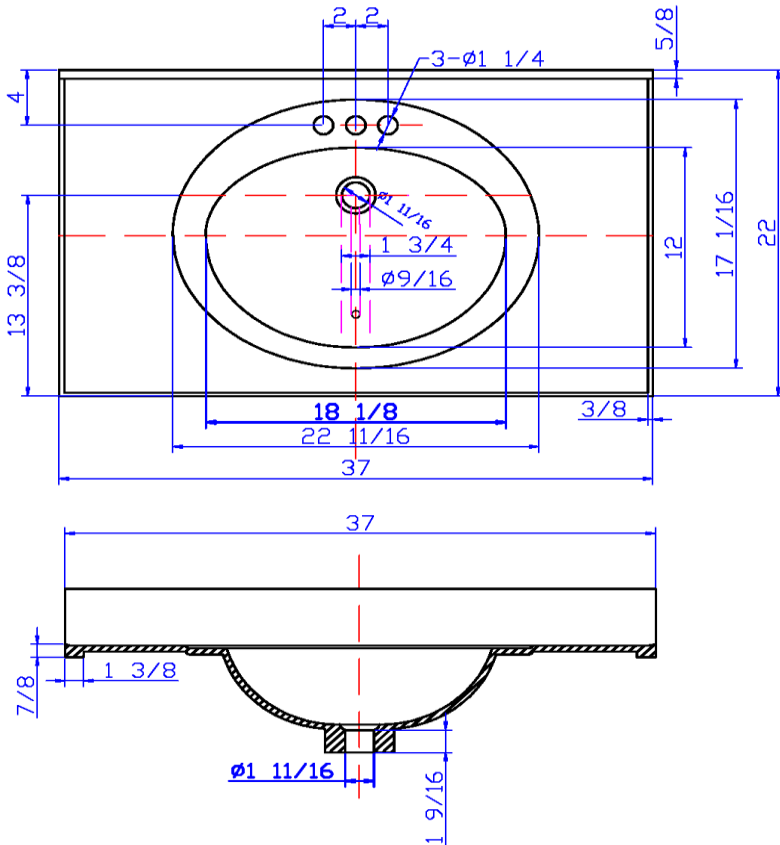


Specifications

- Material Content:** Cultured Marble (Stone filler, Resin and Gel coat)
- Back splash:** Integrated, 3-15/16" high, 5/8" thick
- Faucet Holes:** 3x D1-1/4" holes, 4" center mount
- Overflow Hole** with, D 9/16"
- Drain Hole** with, D 1 -11/16"
- Water Depth** 4- 1/16"
- Bowl** 18- 1/8" width, 12" depth
- Color:** Solid White / White on White / White on Bone



Dimensions



Tolerance		
	+	-
Length	0	7/16"
Width	0	1/4"
Thickness	1/16"	1/16"

Warranty & Compliances

- Warranty** 5 Year Limited Warranty
- UPC** Complaint
- CSA** Complaint
- ANSI** ANSI Z124.3 complaint



Order Codes & Finishes/Colors

	View Box	Sleeve Pack
Sandstone	551754	
Solid White	551382	552042
White on white	551176	552315

www.todaysdesignhouse.com

Type:
 Job:
 Order Code:
 Approvals:

Design House is a registered brand of DHI Corp.
 Mequon, WI * 800-558-8700

White on Bone

551218

552307



Design House reserves the right to make changes in materials, specifications & models at any time. Design House also reserves the right to discontinue product without notice or obligation.
