

25" x 19" Oval Vanity Top

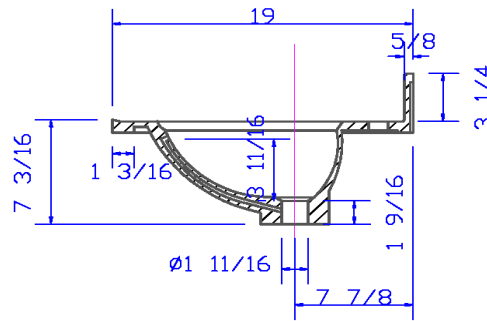
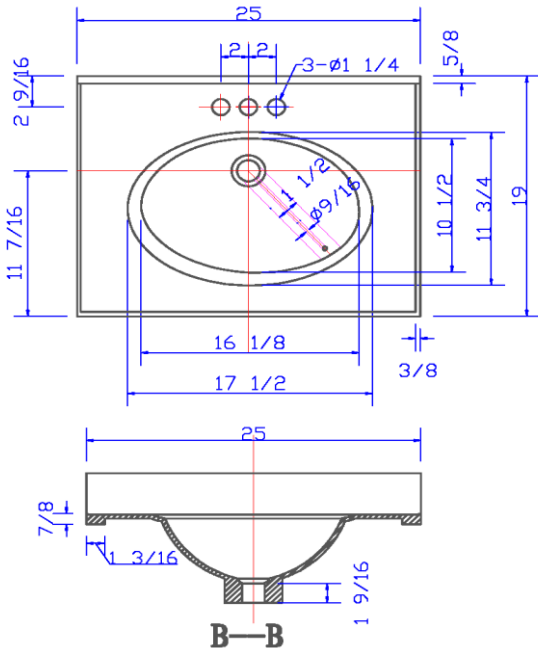


Specifications

Material Content:	Cultured Marble (Stone filler, Resin and Gel coat)
Back splash:	Integrated, 3-1/4" high, 5/8" thick
Faucet Holes:	3x D1 1/4" holes, 4" center mount
Overflow Hole	with, D9/16"
Drain Hole	with, D1 -1/2"
Water Depth	3- 11/16"
Bowl	16 1/8" width, 10-1/2" depth
Color:	Solid White / White on White / White on Bone



Dimensions



Tolerance		
	+	-
Length	0	7/16"
Width	0	1/4"
Thickness	1/16"	1/16"

Warranty & Compliances

Warranty	5 Year Limited Warranty
IAPMO/ UPC	Complaint
CSAB45	Complaint
ANSI	ANSI Z124.3 compliant



Order Codes & Finishes/Colors

	View Box	Sleeve Pack
Solid White	551267	552000
White on white	551051	552794
White on Bone	551101	552273

Type:

Job:

Order Code:

Approvals: