

31" x 22" Oval Vanity Top

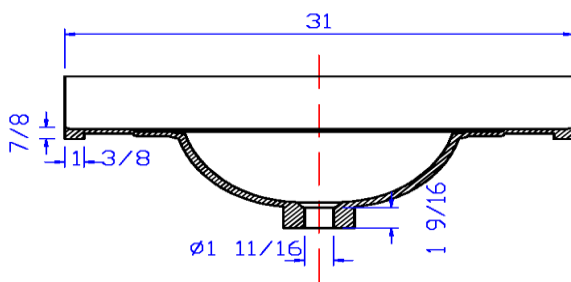
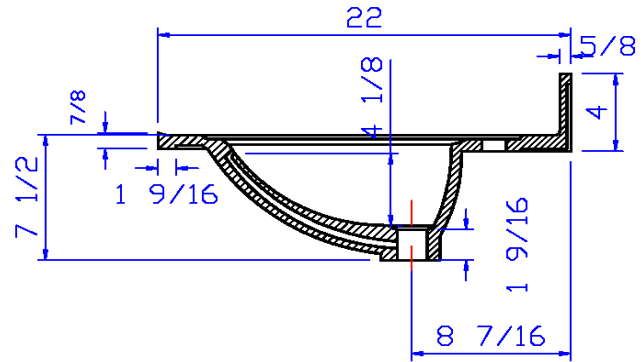
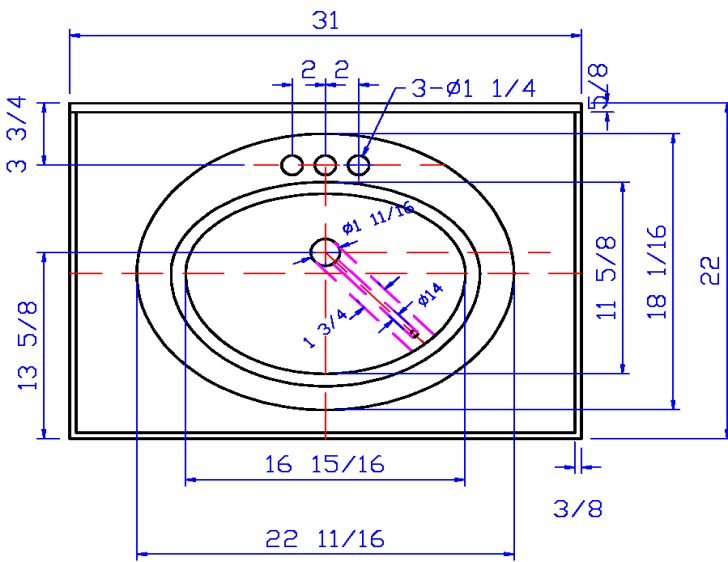


Specifications

- Material Content:** Cultured Marble (Stone filler, Resin and Gel coat)
- Back splash:** Integrated, 4" high, 5/8" thick
- Faucet Holes:** 3x D1-1/4" holes, 4" center mount
- Overflow Hole** with, D 9/16"
- Drain Hole** with, D 1-11/16"
- Water Depth** 4- 1/8"
- Bowl** 16- 15/16" width, 11-5/18" depth
- Color:** Solid White / White on White / White on Bone



Dimensions



Tolerance		
	+	-
Length	0	7/16"
Width	0	1/4"
Thickness	1/16"	1/16"

Warranty & Compliances

- Warranty** 5 Year Limited Warranty
- UPC** Complaint
- CSA** Complaint
- ANSI** ANSI Z124.3 complaint



Order Codes & Finishes/Colors

	View Box	Sleeve Pack
Solid White	551374	552034
White on white	551168	550350
White on Bone	551200	550939

Type:
Job:
Order Code:
Approvals:

Design House is a registered brand of DHI Corp.
Mequon, WI • 800-558-8700

