

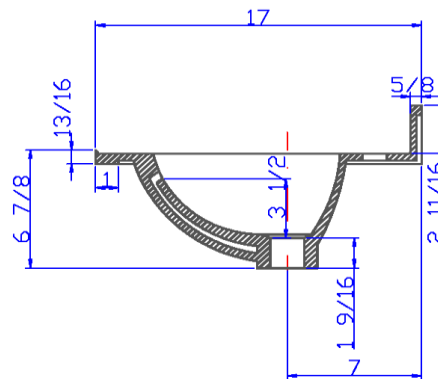
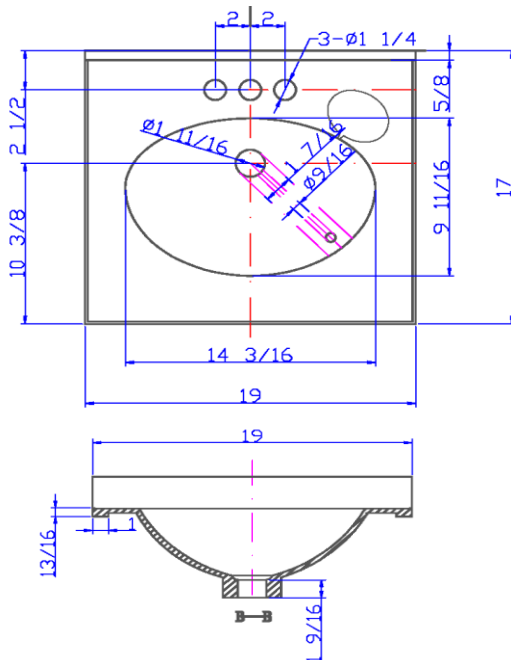
# 19" x 17" Oval Culture Marble Vanity Top

## Specifications

|                          |  |
|--------------------------|--|
| <b>Material Content:</b> | Cultured Marble (Stone filler, Resin and Gel coat) |
| <b>Back splash:</b>      | Integrated, 2-11/16" high, 5/8" thick              |
| <b>Faucet Holes:</b>     | 3x D1-1/4" holes, 4" center mount                  |
| <b>Overflow Hole</b>     | with, D 9/16"                                      |
| <b>Drain Hole</b>        | with, D 1 -11/16"                                  |
| <b>Water Depth</b>       | 3- 1/2"  |
| <b>Bowl</b>              | 14- 3/16" width, 9-11/16" depth                    |
| <b>Color:</b>            | Solid White / White on White / White on Bone       |



## Dimensions



| Tolerance |       |       |
|-----------|-------|-------|
|           | +     | -     |
| Length    | 0     | 1/4"  |
| Width     | 0     | 1/4"  |
| Thickness | 1/16" | 1/16" |

## Warranty & Compliances

|                   |                         |
|-------------------|-------------------------|
| <b>Warranty</b>   | 5 Year Limited Warranty |
| <b>IAPMO/ UPC</b> | Complaint               |
| <b>CSAB45</b>     | Complaint               |
| <b>ANSI</b>       | ANSI Z124.3 complaint   |



## Order Codes & Finishes/Colors

|                       | View Box | Sleeve Pack |
|-----------------------|----------|-------------|
| <b>Solid White</b>    | 551242   | 551994      |
| <b>White on white</b> | 551044   | 552331      |
| <b>White on Bone</b>  | 551093   | 552299      |

**Type:**

**Job:**

**Order Code:**

**Approvals:**

Design House reserves the right to make changes in materials, specifications & models at any time. Design House also reserves the right to discontinue product without notice or obligation.