

Karsen Shower Faucet

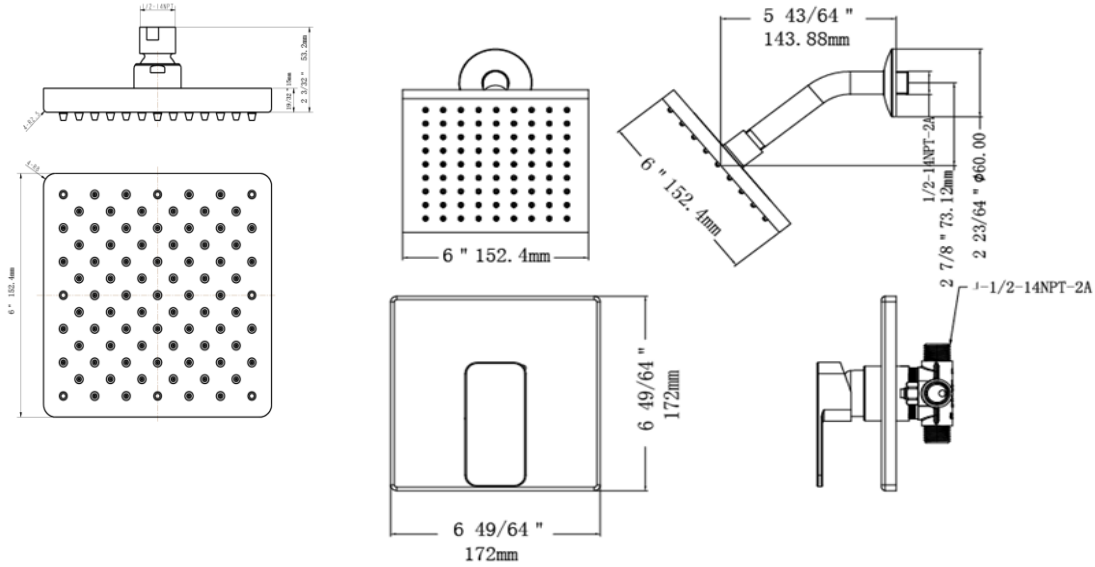


Specifications

Handle	Zinc handle, 1/4 quarter turn stop
Cartridge	Pressure balance cartridge
Max Waterflow	2.0GPM@ 80 PSI
Shower Arm	Metal shower arm
Shower Head	Plastic shower head



Dimensions



Warranty & Compliances

Warranty	Lifetime Limited Warranty, Lifetime Limited Finish Warranty
IAPMO/UPC	CUPC compliant
ASME	ASME A112.18.1-2012/CSA B1255.1-12
ADA	Compliant



Order Codes & Finishes/Colors

Brushed Nickel (US15)	547729	
Polished Chrome	547711	
Oil Rubbed Bronze		

Type: Job: Order Code: Approvals:
--

Design House reserves the right to make changes in materials, specifications & models at any time. Design House also reserves the right to discontinue product without notice or obligation.