

Eastport Single Handle Lavatory Faucet

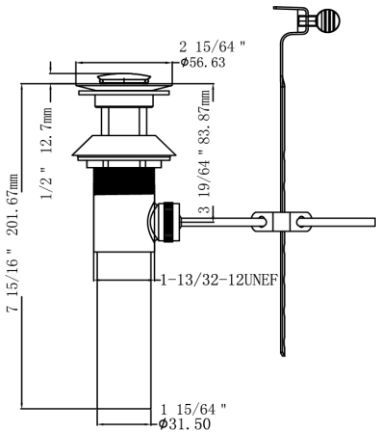
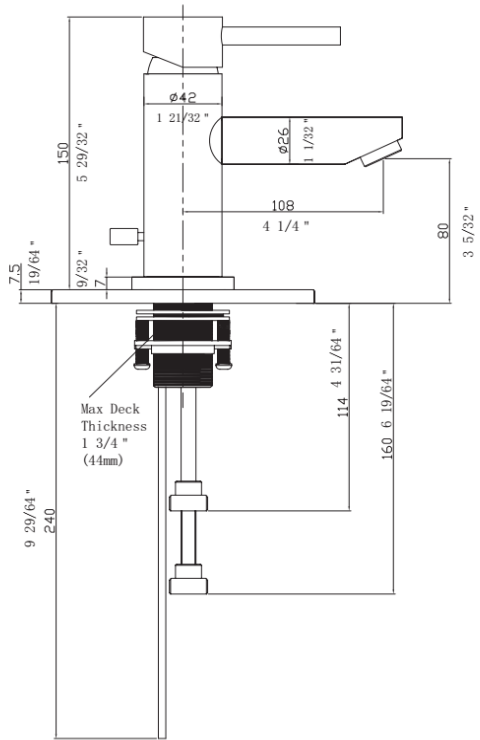


Specifications

Handle	Zinc handle
Spout	Brass
Cartridge	Ceramic disc Cartridge
Waterway	Brass
Max Waterflow	1.2GPM@ 60 PSI
Spout Reach	4 - 1/4"
Spout Height	3 - 5/32"
Mouting Holes	1
Max Deck Thickness	1 3/4"
Popup	Brass



Dimensions



Warranty & Compliances

Warranty	Lifetime Limited Warranty, Lifetime Limited Finish Warranty
IAPMO/UPC	CUPC compliant
ASME	ASME A112.18.1-2012/CSA B1255.1-12
NSF/ANSI	NSF/ANSI 61-2012
Lead Free	AB1953 compliant
WaterSense®	Compliance with EPA WaterSense® High Efficiency Lavatory Faucet Specification
ADA	Compliant



Order Codes & Finishes/Colors

Brushed Nickel (US15)	547554	
Polished Chrome	547547	
Oil Rubbed Bronze		

Type:
 Job:
 Order Code:
 Approvals:

Design House reserves the right to make changes in materials, specifications & models at any time. Design House also reserves the right to discontinue product without notice or obligation.