

Perth Shower Only Faucet

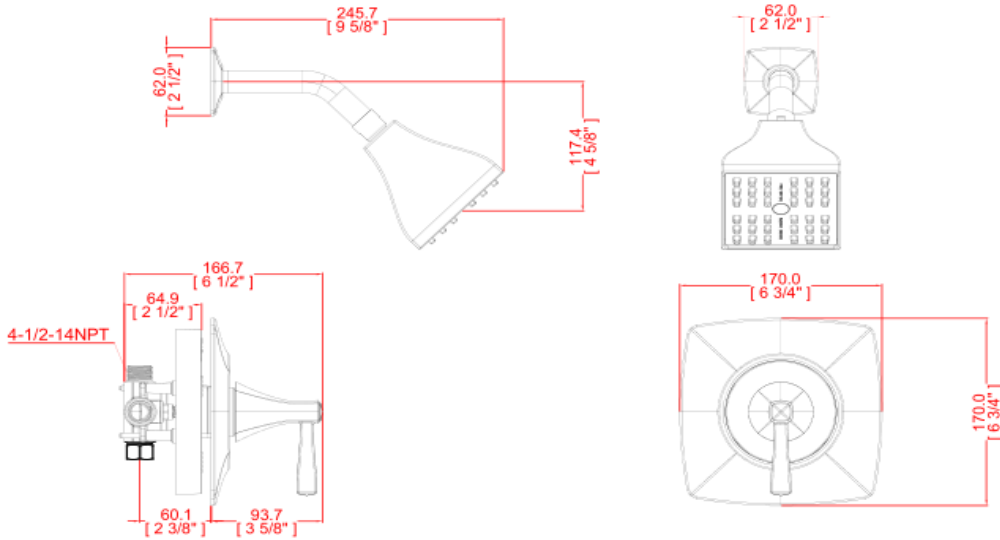


Specifications

Handle	Zinc handle, 1/4 quarter turn stop
Cartridge	Pressure balance Cartridge
Escutcheon	Metal
Max Waterflow	2.0GPM@ 80 PSI
Shower Arm	Metal shower arm
Shower Head	Plastic shower head



Dimensions



Warranty & Compliances

Warranty	Lifetime Limited Warranty, Lifetime Limited Finish Warranty
IAPMO/UPC	CUPC compliant
ASME	ASME A112.18.1/ CSA B125.1
ADA	Compliant



Order Codes & Finishes/Colors

Satin Nickel (US15)

546978



Type:
Job:
Order Code:
Approvals:

Design House reserves the right to make changes in materials, specifications & models at any time. Design House also reserves the right to discontinue product without notice or obligation.