

Perth Single Handle Tub and Shower Faucet



Specifications

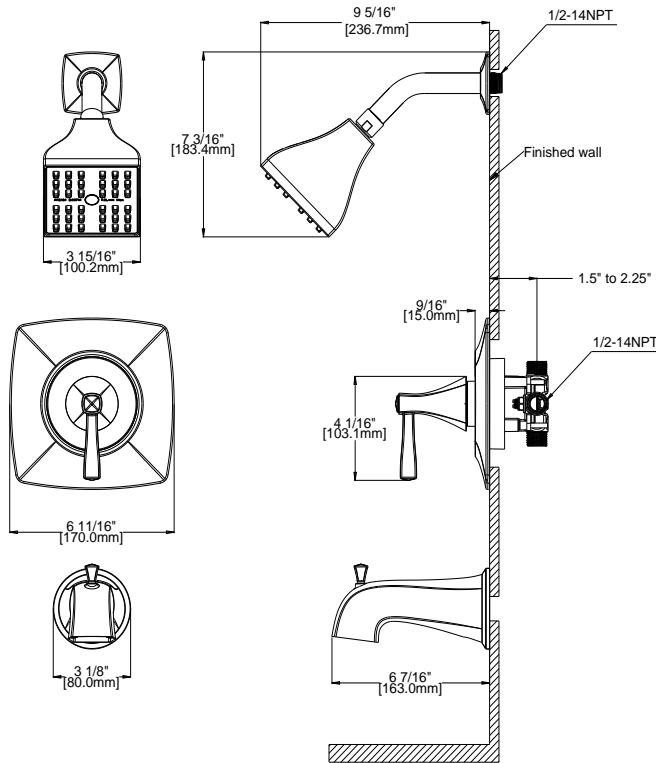
Handle	Zinc handle, 1/4 quarter turn stop
Cartridge	Pressure Balance
Max Waterflow	2.0GPM@ 80 PSI
Shower Arm	metal shower arm & flange
Shower Head	Plastic shower head , single function
Spout	Pull-up diverter spout



546960

546978

Dimensions



Warranty & Compliances

Warranty	Lifetime Limited Warranty, Lifetime Limited Finish Warranty
IAPMO/UPC	CUPC compliant
ASME	ASME A112.18.1-2012/CSA B1255.1-12
ADA	Compliant
WaterSense®	Compliance with EPA WaterSense



Order Codes & Finishes/Colors

Brushed Nickel (US15)	546960	with spout
Brushed Nickel (US15)	546978	w/o spout
Polished Chrome		
Oil Rubbed Bronze		



Type:
Job:
Order Code:
Approvals:

Design House reserves the right to make changes in materials, specifications & models at any time. Design House also reserves the right to discontinue product without notice or obligation.