

# Perth Roman Tub Faucet W/O Handheld Shower

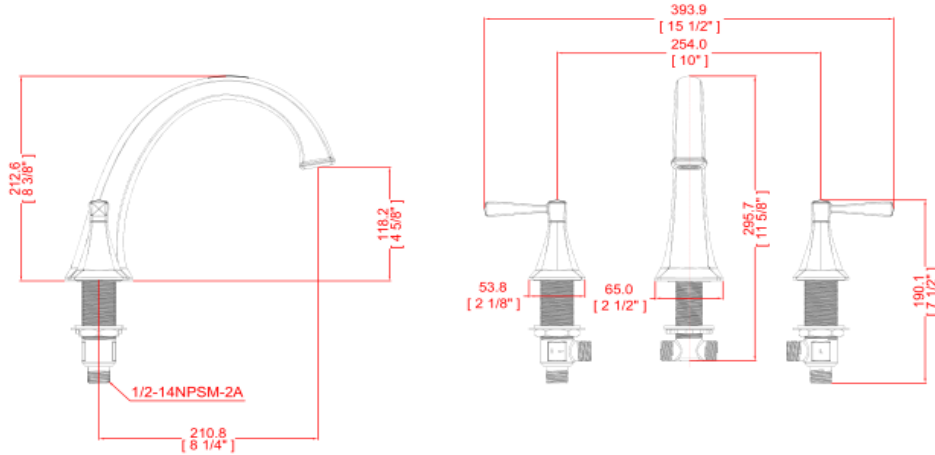


## Specifications

|                    |                                    |
|--------------------|------------------------------------|
| Handle             | Zinc handle, 1/4 quarter turn stop |
| Spout              | Brass                              |
| Cartridge          | Ceramic disc Cartridge             |
| Waterway           | Brass waterway                     |
| Escutcheon         | Metal                              |
| Min Waterflow      | 2.5GPM@ 20 PSI                     |
| Spout Reach        | 8 1/4"                             |
| Spout Height       | 4 5/8"                             |
| Mouting Holes      | 3                                  |
| Max Deck Thickness | 1 7/8"                             |



## Dimensions



## Warranty & Compliances

|           |   |
|-----------|---|
| Warranty  | Lifetime Limited Warranty, Lifetime Limited Finish Warranty |
| IAPMO/UPC | CUPC compliant  |
| ASME      | ASME A112.18.1/ CSA B125.1                                  |
| ADA       | Compliant   |



## Order Codes & Finishes/Colors

Satin Nickel (US15)

546945



Type:  
 Job:  
 Order Code:  
 Approvals:

Design House reserves the right to make changes in materials, specifications & models at any time. Design House also reserves the right to discontinue product without notice or obligation.