

Perth Widespread Lavatory Faucet

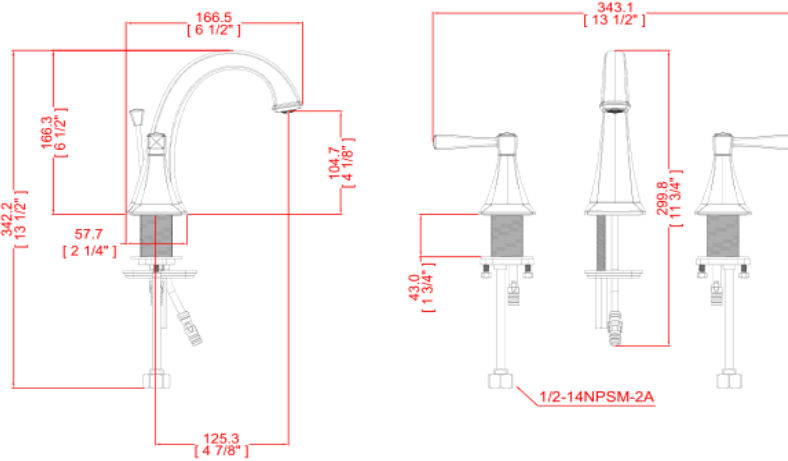


Specifications

| | |
|--------------------|------------------------------------|
| Handle | Zinc handle, 1/4 quarter turn stop |
| Spout | Brass |
| Cartridge | Ceramic disc Cartridge |
| Waterway | Hybrid |
| Escutcheon | Metal |
| Max Waterflow | 1.5GPM@ 60 PSI |
| Spout Reach | 4 7/8" |
| Spout Height | 4 1/8" |
| Mouting Holes | 4 |
| Max Deck Thickness | 1 3/4" |
| Pop up | Metal |



Dimensions



Warranty & Compliances

| | |
|-----------|---|
| Warranty | Lifetime Limited Warranty, Lifetime Limited Finish Warranty |
| IAPMO/UPC | CUPC compliant |
| ASME | ASME A112.18.1/ CSA B125.1 |
| NSF/ANSI | NSF/ANSI 61 |
| Lead Free | Fed. Public Law 111-380 (1/2014) |
| ADA | Compliant |



Order Codes & Finishes/Colors

Satin Nickel (US15)

546937



Type:
 Job:
 Order Code:
 Approvals:

Design House reserves the right to make changes in materials, specifications & models at any time. Design House also reserves the right to discontinue product without notice or obligation.