

Lyss Vessel Filler Faucet

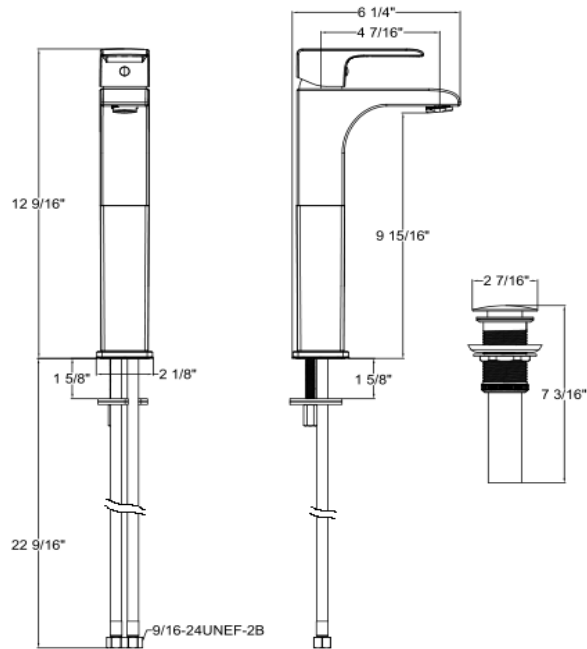


Specifications

Flow Rate (GPM)	1.5 GPM @ 60 psi
Material Content	Brass body with zinc handle
Cartridge	Washerless cartridge
Pop-Up Drain	Metal pop-up
Lever Handle Operation	(1/4) quarter turn stop
Spout Reach	4-7/16"
Spout Height	9-15/16"
Installation Type	1-hole
Max Deck Thickness	1-5/8"



Dimensions



Warranty & Compliances

Warranty	Lifetime Limited Warranty
IAPMO/UPC	UPC & cUPC Compliant
ASME	ASME A112.18.1/CSA B125.1
ANSI	Compliant
ADA	Compliant
NSF	Compliant
Lead Free	Fed. P.L. 111-380 (1/2014)
Watersense	Compliant



Order Codes & Finishes/Colors

Polished Chrome	546747	
Satin Nickel (US15)	546754	
Brushed Bronze	546762	

Type: Job: Order Code: Approvals:
--

Design House reserves the right to make changes in materials, specifications & models at any time. Design House also reserves the right to discontinue product without notice or obligation.