

Saratoga Lavatory Faucet

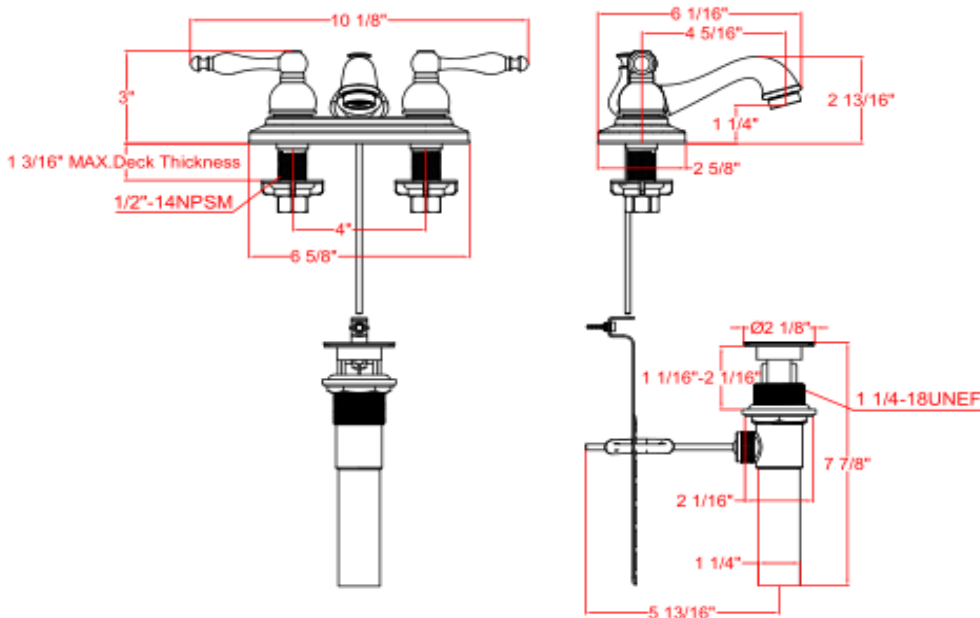


Specifications

| | |
|-------------------------------|--|
| Flow Rate (GPM) | 1.5 GPM @ 60 psi |
| Material Content | AB1953 platform hybrid body with zinc handle |
| Cartridge | Washerless cartridge |
| Pop-Up Drain | Metal pop-up |
| Lever Handle Operation | (1/4) quarter turn stop |
| Spout Reach | 4-5/16" |
| Spout Height | 1-1/4" |
| Installation Type | 3-hole, 4" center mount |
| Max Deck Thickness | 1-3/16" |



Dimensions



Warranty & Compliances

| | |
|-------------------|----------------------------|
| Warranty | Lifetime Limited Warranty |
| IAPMO/UPC | UPC & cUPC Compliant |
| ASME | ASME A112.18.1/CSA B125.1 |
| ANSI | Compliant |
| ADA | Compliant |
| NSF | Compliant |
| Lead Free | Fed. P.L. 111-380 (1/2014) |
| Watersense | Compliant |



Order Codes & Finishes/Colors

| | | |
|---------------------------------|--------|--|
| Polished Chrome | 546077 | |
| Satin Nickel (US15) | 546085 | |
| Oil Rubbed Bronze(US10B) | 546069 | |
| Brushed Bronze | 546093 | |

Type:

Job:

Order Code:

Approvals:

Design House reserves the right to make changes in materials, specifications & models at any time. Design House also reserves the right to discontinue product without notice or obligation.