

# Saratoga Single Handle Tub & Shower Faucet

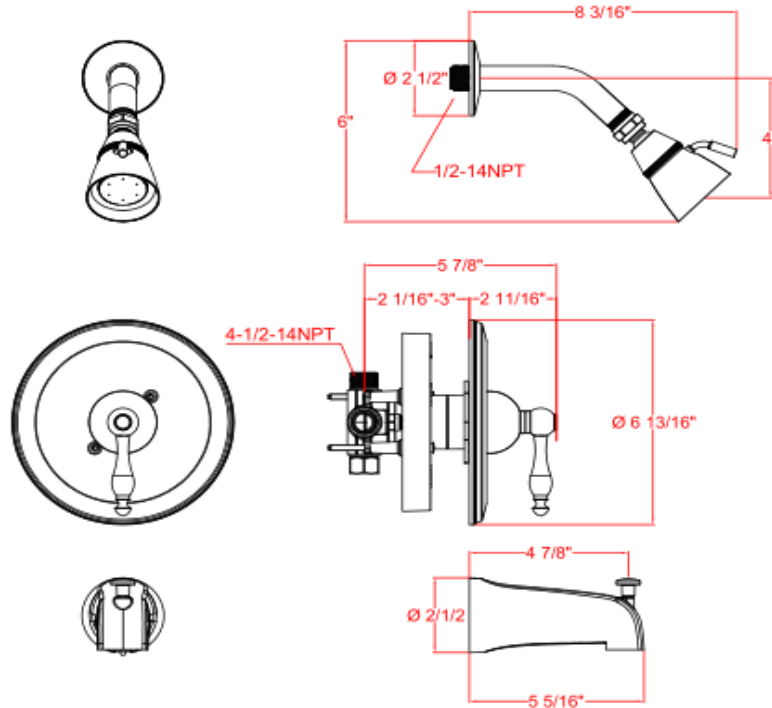


## Specifications

|                    |   |
|--------------------|---|
| <b>Handle</b>      | Zinc handle   |
| <b>Tub Spout</b>   | Non-slip fit tub spout  |
| <b>Escutcheon</b>  | Stainless steel for polished chrom and satin nickel.<br>Brass for Oil rubbed bronze and Brushed bronze. |
| <b>Cartridge</b>   | Ceramic cartridge   |
| <b>Valve Kit</b>   | Pressure balance valve kit with water stop and brass plug   |
| <b>Waterway</b>    | Brass   |
| <b>Shower Head</b> | Brass shower head   |
| <b>Shower Arm</b>  | Metal shower arm  |
| <b>Flow Rate</b>   | 2.5 GPM @ 80 psi  |



## Dimensions



## Warranty & Compliances

|                  |                           |
|------------------|---------------------------|
| <b>Warranty</b>  | Lifetime Limited Warranty |
| <b>IAPMO/UPC</b> | cUPC Compliant            |
| <b>ASME</b>      | ASME A112.18.1/CSA B125.1 |
| <b>ADA</b>       | Compliant                 |



## Order Codes & Finishes/Colors

|                                 |        |  |
|---------------------------------|--------|--|
| <b>Polished Chrome</b>          | 546036 |  |
| <b>Satin Nickel (US15)</b>      | 546051 |  |
| <b>Oil Rubbed Bronze(US10B)</b> | 546028 |  |
| <b>Brushed Bronze</b>           | 546044 |  |

|  |
|--|
| <b>Type:</b><br><b>Job:</b><br><b>Order Code:</b><br><b>Approvals:</b> |
|--|

Design House reserves the right to make changes in materials, specifications & models at any time. Design House also reserves the right to discontinue product without notice or obligation.