

Saratoga Single Handle Tub & Shower Faucet

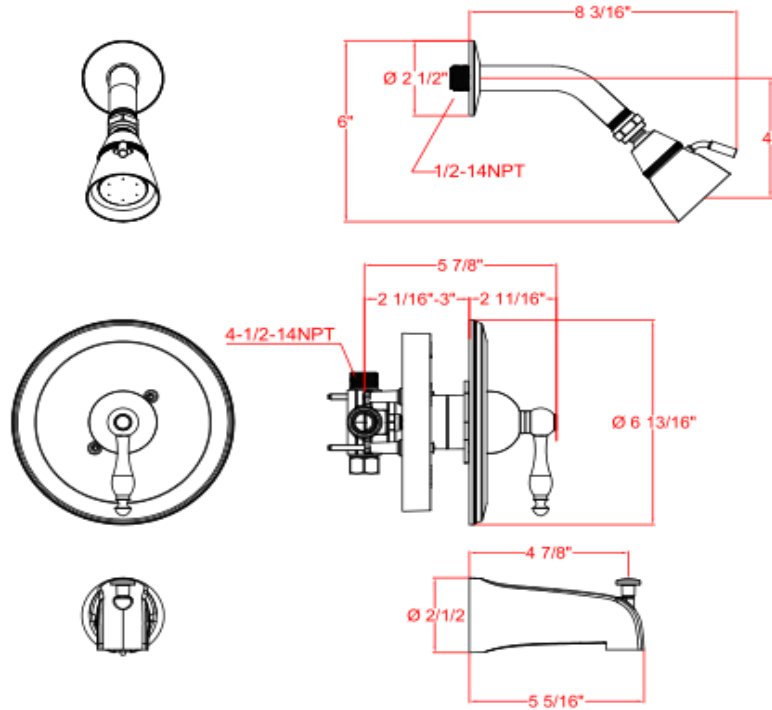


Specifications

| | |
|--------------------|---|
| Handle | Zinc handle |
| Tub Spout | Non-slip fit tub spout |
| Escutcheon | Stainless steel for polished chrom and satin nickel. Brass for Oil rubbed bronze and Brushed bronze. |
| Cartridge | Ceramic cartridge |
| Valve Kit | Pressure balance valve kit with water stop and brass plug |
| Waterway | Brass |
| Shower Head | Brass shower head |
| Shower Arm | Metal shower arm |
| Flow Rate | 2.5 GPM @ 80 psi |



Dimensions



Warranty & Compliances

| | |
|------------------|---------------------------|
| Warranty | Lifetime Limited Warranty |
| IAPMO/UPC | cUPC Compliant |
| ASME | ASME A112.18.1/CSA B125.1 |
| ADA | Compliant |



Order Codes & Finishes/Colors

| | | |
|---------------------------------|--------|--|
| Polished Chrome | 546036 | |
| Satin Nickel (US15) | 546051 | |
| Oil Rubbed Bronze(US10B) | 546028 | |
| Brushed Bronze | 546044 | |

| |
|--|
| Type: Job: Order Code: Approvals: |
|--|

Design House reserves the right to make changes in materials, specifications & models at any time. Design House also reserves the right to discontinue product without notice or obligation.