

MILLBRIDGE Twin Handle 4" cc Lavatory Faucet

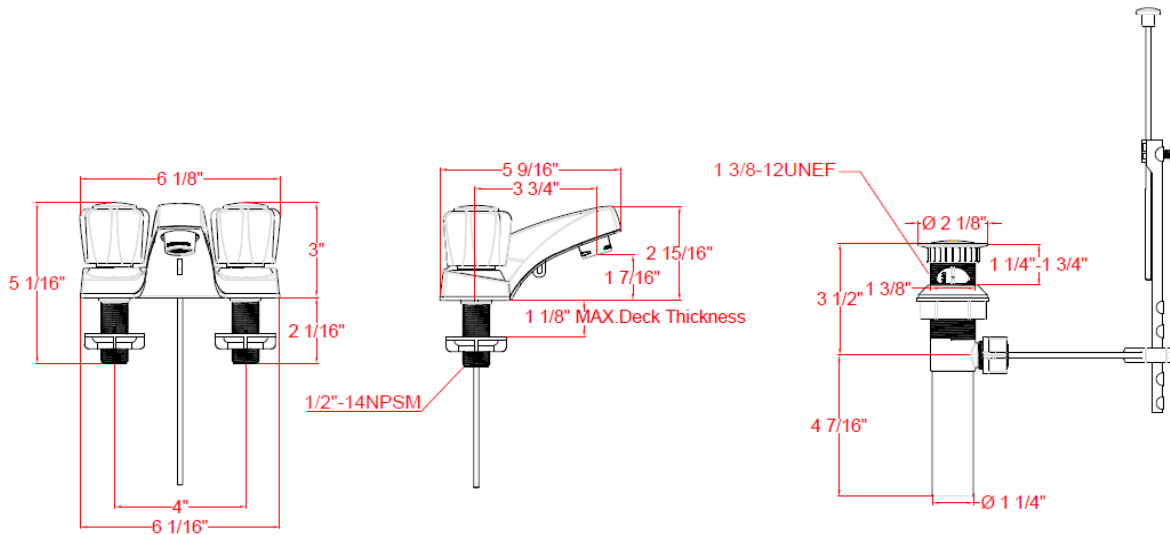


Specifications

Material Content	Hybrid Valve Body, Zinc housing, PE throat cover
Pop-Up Drain	ABS Pop-Up
Spout Reach	3-3/4"
Cartridge	Washerless with brass insert
Lever Handle Operation	Rounded Acrylic Knob, (1/4) quarter turn stop
Installation Type	3-hole, 4" center mount
Max Waterflow (GPM)	1.5 GPM @ 60psi



Dimensions



Warranty & Compliances

Warranty	Lifetime Limited Warranty; Lifetime Limited Finish Warranty
IAPMO/UPC	CUPC compliant
ASME	ASME A112.18.1-05
CSA	CSA B125.1-05
NSF	NSF/ANSI 61
Lead Free	Fed. Public Law 111-380; AB1953
WaterSense®	Compliance with EPA WaterSense® High Efficiency Lavatory Faucet Specification
ADA	Compliant



Order Codes & Finishes/Colors

Polished Chrome	545970	
Polished Chrome	545954 (no pop-up)	

Type:

Job:

Order Code:

Approvals:

Design House reserves the right to make changes in materials, specifications & models at any time. Design House also reserves the right to discontinue product without notice or obligation.