

# MILLBRIDGE Twin Handle 4" cc Lavatory Faucet

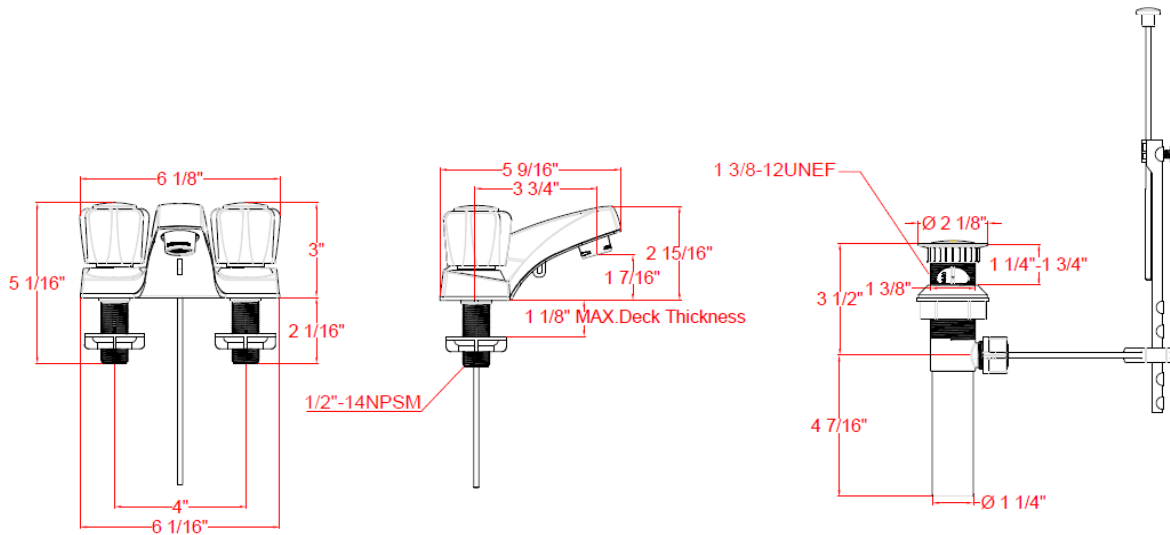


## Specifications

<b>Material Content</b>	Hybrid Valve Body, Zinc housing, PE throat cover
<b>Pop-Up Drain</b>	ABS Pop-Up
<b>Spout Reach</b>	3-3/4"
<b>Cartridge</b>	Washerless with brass insert
<b>Lever Handle Operation</b>	Rounded Acrylic Knob, (1/4) quarter turn stop
<b>Installation Type</b>	3-hole, 4" center mount
<b>Max Waterflow (GPM)</b>	1.5 GPM @ 60psi



## Dimensions



## Warranty & Compliances

<b>Warranty</b>	Lifetime Limited Warranty; Lifetime Limited Finish Warranty
<b>IAPMO/UPC</b>	CUPC compliant
<b>ASME</b>	ASME A112.18.1-05
<b>CSA</b>	CSA B125.1-05
<b>NSF</b>	NSF/ANSI 61
<b>Lead Free</b>	Fed. Public Law 111-380; AB1953
<b>WaterSense®</b>	Compliance with EPA WaterSense® High Efficiency Lavatory Faucet Specification
<b>ADA</b>	Compliant



## Order Codes & Finishes/Colors

<b>Polished Chrome</b>	545970	
<b>Polished Chrome</b>	545954 (no pop-up)	

**Type:**

**Job:**

**Order Code:**

**Approvals:**

Design House reserves the right to make changes in materials, specifications & models at any time. Design House also reserves the right to discontinue product without notice or obligation.