

MILLBRIDGE Single Handle Tub & Shower Faucet

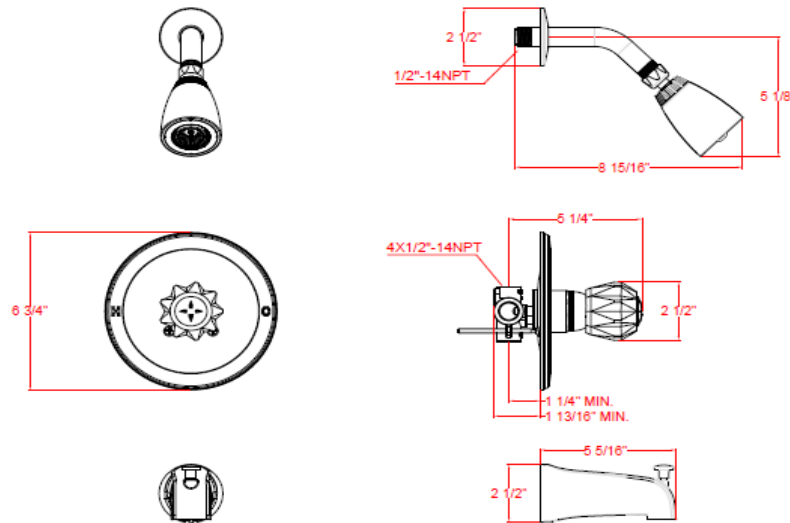


Specifications

Material Content	Non-Pressure Balance Brass Valve with Single Acrylic handle and Zinc Spout
Cartridge	Washerless Cartridge
Lever Handle Operation	Lever adjusts water temperature and on/off control
Spout	Pull-up, Slip-Fit Diverter Spout
Reach (Shower)	8-15/16"
Max Waterflow (GPM)	2.5 GPM @ 80 psi



Dimensions



Warranty & Compliances

Warranty	Lifetime Limited Warranty; Lifetime Limited Finish Warranty
IAPMO/UPC	CUPC compliant
ASME	ASME A112.18.1-05
CSA	CSA B125.1-05
ADA	Non-compliant



Order Codes & Finishes/Colors

Polished Chrome

545921



Type:

Job:

Order Code:

Approvals:

Design House reserves the right to make changes in materials, specifications & models at any time. Design House also reserves the right to discontinue product without notice or obligation.